

AL-5001-MPC-HD212XIRDK

# 2MP 12X MOTORIZED BULLET NETWORK CAMERA (30FPS)

Ultra Super WDR 140dB, IR Distance 120m



## OVERVIEW

### Alcon Smart Full HD Motorized 12X Starlight Bullet Camera

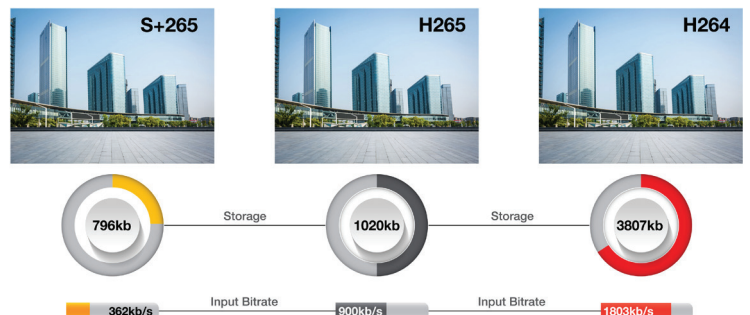
The Alcon AL-5001-MPC-HD212XIRDK Camera with Starlight Low Light Technology, Ultra Super WDR (140db) and H.265+ Video Compression with Dual ICR is, in true sense of an Ultra Smart IP Camera that provides high resolution images for round-the-clock surveillance over IP networks. It supports H.265+/H.264, MPEG-4, and JPEG compression formats and delivers excellent picture quality in 2.0MP resolutions. It is also equipped with a mounting bracket that conceals all cables within for easy management and waterproofing. Furthermore, the IP67-rated housing protects against rain and dust and ensures stable operation under extreme weather conditions. IR-Cut filter & built-in IR illuminators enables the camera to provide color (0.002Lux) video in low light condition and black/white clear video in extreme dark conditions. The inbuilt white light LED enables to scare off offenders from the scene. It supports flexible power supply options of either Power-Over-Ethernet or adapter power. It is an ideal solution for outdoor and indoor surveillance applications such as buildings, roads, parking areas, garages, railway stations and airports etc.

## FEATURES

- 2MP, Starlight 0.002lux, 12x Optical Zoom
- 1080P, 1920x1080@30fps
- H.265+/H.264, HEVC, Ultra Super WDR 140dB
- IR Distance 120m, Micro SD Card 256GB
- Privacy Masking, BLC, HLC, 2D DNR, 3D DNR, ROI, Defog, AWB, EIS, IP Address Filtering, AGC, Anti-flicker, Corridor Mode, Deblur, 3-Axis
- IP67-rated for weather-resistant performance
- Video Analysis: Region Entrance, Region Exiting, Advanced Motion Detection, Tamper Detection, Line Crossing, Loitering, Human Detection, People Counting, Object Left, Object Removed (Optional)

## LATEST COMPRESSION H.265+ TECHNOLOGY

ALCON cameras and NVRS are coming with H.265+ can save approximate 70% bitrate than H.264 technology 100:30...70% less storage another new gen technology circuit making it extremely durable and best suitable for Industrial type installations.



S+265 can save approximate 50% bitrate than H.265 technology, saves 70%-80% bandwidth compared with H.264

## AUTO FOCUS

Alcon autofocus Camera is an ideal choice for surveillance and monitoring when the field of view encompasses large differences in distances of the target or the target is moving and often changes its distance to the camera. Alcon autofocus Camera lenses are zoom lenses; a variation of this type of lens is a vari-focal lens which can vary its focal length by manual adjustment and can zoom upto 12X Remotely.



## STARLIGHT TECHNOLOGY

ALCON starlight 0.002Lux (Starlight) series is most advance product with low light scenario with Cristal clear and color picture on Night.

## ULTRA SUPER WDR (140dB)

Commonly used Digital WDR (D-WDR), which is a software-based technique to enhance image by adjusting the gamma value to enhance dark areas is responsible for image deterioration (i.e. the image being washed out). Alcon sensor-based WDR technology allows the camera to record greater scene details with true color reproduction even under the extreme back light and high contrast conditions. The ratio that the brightest light signal values divided by the darkest light signal values is up to 140dB.



## TRIPLE STREAMING

The Alcon all Camera Series supports 3 simultaneous streams. Stream 1 for Local Recording and Viewing at full resolution, stream 2 for Remote viewing and recording over the internet and stream 3 for special applications, Smart Phones and hand held devices. Keeping in mind the growing trend of video analytics and Smart Phone applications, this feature enhances analytics and mobile viewing experience over conventional IP Camera having Dual Stream only.



## PRIVACY MASKING

Privacy masking is a feature found in many IP cameras which is used to protect personal privacy by concealing parts of the image from view with a masked area. Examples of this use would be masking windows of domestic properties





### HIGH LIGHT CONTROL

Alcon HLC function is designed to allow camera capture vehicle plate license. HLC stands for High-light compensation, this technology is designed to optimize the brightness of images through using digital signal processing.

### REGION OF INTEREST

A region of interest is a specified part of a Alcon CCTV camera view that is highlighted and broadcast to a separate stream from a camera.



### SMART DEFOG

Alcon's Smart Defog image correction algorithm, improves the whole images visibility and clarity even in very foggy weather.

### 30FPS

Alcon Super Starlight Camera offers super high frame rate up to 1920\*1080@30fps resolution which is double the number of frames offered by conventional HD network cameras. This technology enables the camera to capture stable and latency free clear images on fast moving objects.



### DIGITAL NOISE REDUCTION

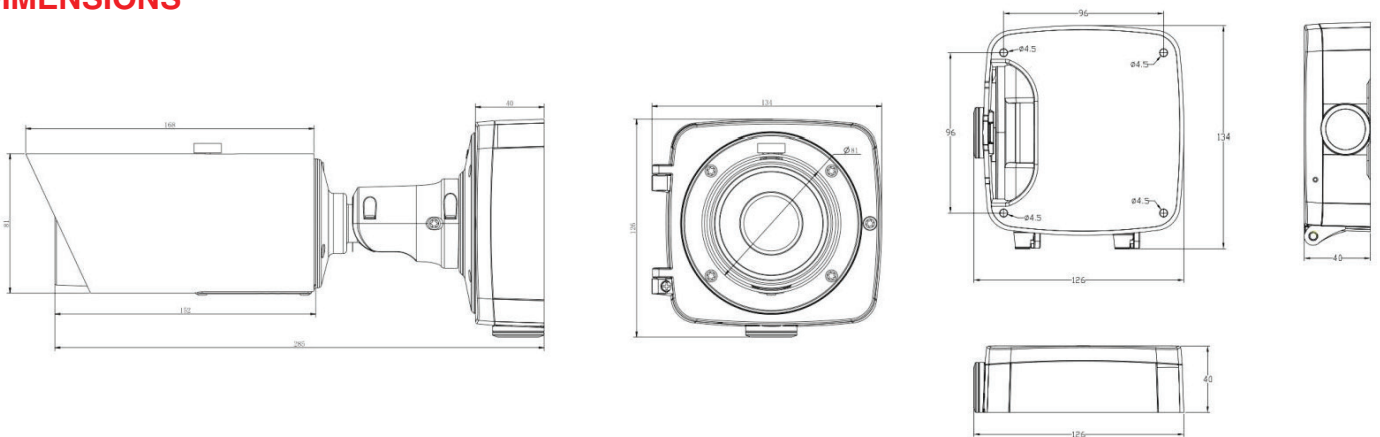
Digital Noise Reduction (DNR) is a method by which the camera's imager digitally removes noise from the image. 3D DNR is an advancement of this technology which enables noise to be filtered even more effectively from the image, even in low light conditions.

**SPECIFICATION**

<b>AL-5001-MPC-HD212XIRDK</b>	
Image Sensor	1/2.8" Progressive Scan CMOS
Min. Illumination	Color: 0.002Lux @F1.2, B/W: 0Lux with IR on
WDR	140dB Super WDR
Lens	Motorized 5.3~64mm@F1.6~F2.8, 12X Optical Zoom
Field of View	H61°~H5°/D69°~D5°/V36°~V2°
Shutter	Time1/100000s~1s
Day&Night	ICR Filter Auto Switch
IR	DistanceUp to 120m
S/N	>55dB
<b>Video</b>	
Max. Image Resolution	1920x1080
Frame Rate	30fps(1920x1080) 30fps(1920x1080), 30fps(1280x960), 30fps(1280x720), 30fps(704x576)
Video Compression	H.265+/H.265(HEVC)/H.264+/H.264/ MJPEG
Video Bit Rate	16Kbps~16Mbps (CBR/VBR adjustable)
Image Settings	Saturation/Brightness/Contrast/Sharpness
Web Access	Support IE/Firefox/Chrome/Safari Browser
<b>Audio</b>	
Audio Compression	G.711/AAC
Audio I/O	1/1

<b>Network</b>	
Communication	1*RJ45 10M/100M Ethernet Port
Network Storage	NAS(Support NFS, SMB/CIFS)
Network Protocols	IPv4/IPv6, TCP, UDP, RTP, RTSP, RTCP, HTTP, HTTPS, DNS, DDNS, DHCP, FTP, NTP, SMTP, UPnP, SIP, SNMP, PPPoE, VLAN, 802.1x, QoS, IGMP, ICMP, SSL
Alarm I/O	1/1
Storage	Support microSD/SDHC/SDXC Card Local Storage, up to 256G
Advanced Function	Privacy Masking, BLC, HLC, 2D DNR, 3D DNR, ROI, Defog, AWB, EIS, IP Address Filtering, AGC, Anti-flicker, Corridor Mode, Deblur
SIP/VoIP Support	Yes, Voice&Video-over-IP
Event Trigger	Motion Detection, Network Disconnection, External Input, Audio Alarm, etc.
Event Action	FTP Upload, SMTP Upload, SD Card Record, External Output, SIP Phone, HTTP Notification, etc.
Video Analysis	*(Optional)Region Entrance, Region Exiting, Advanced Motion Detection, Tamper Detection, Line Crossing, Loitering, Human Detection, People Counting, Object Left, Object Removed
System Compatibility	ONVIF Profile S & G & T
Working Temperature	-40°C~60°C
Working Humidity	0~90%(Non-condensing)
Power Supply	PoE(802.3af)/DC 12V±10%
Power Consumption	5.5W MAX, 11W MAX (With IR on)
Weather Proof	Up to IP67-rated for weather-resistant performance
Dimensions	134mmX126mmX40mm
Weight	1080g
Warranty	2 Years

**DIMENSIONS**



**ORDERING INFORMATION**

AL-5001-MPC-HD212XIRDK

2MP Starlight 30fps, 12x, PoE Bullet



\*Product specifications and availability are subject to change without notice.