

4MP AI STARLIGHT 60M IR BULLET CAMERA



Alcon Sleek Full HD Starlight IR Bullet Camera

The Alcon AL-5001-MPC-HD4CMDK-P Fixed Lens IP Camera with IR Illuminator provides high resolution images for round-the-clock surveillance over IP networks & color picture in dark conditions. It supports up to S+265 compression formats and delivers excellent picture quality in 2560×1440 resolutions. Furthermore, the IP67-rated housing protects against rain and dust and ensure stable operation under extreme weather conditions. IR-Cut filter and built-in IR illuminators support upto 60MTR IR distance. It supports power-Over-Ethernet. It is an ideal solution for outdoor and indoor surveillance applications such as school, college, hospital, training center, restaurant, conference hall etc

LATEST COMPRESSION H.265+ TECHNOLOGY

ALCON cameras and NVRS are coming with H.265+ can save approximate 80% bitrate than H.264 technology 100:20...80% less storage another new gen technology circuit making it extremely durable and best suitable for Industrial type installations.

Key features

- 2560x1440, In-built Mic
- S+265/H.265/H.264
- Min. illumination Color: 0.002Lux@F1.6
- POE, IP67
- Smart IR, IR Range: 60m
- Support tripwire and perimeter In VCA
- Built-in Mic, SD Card Upto 512GB
- Operating Conditions -35°~65°, 0~95% RH
- BLC/3D DNR/HLC/WDR/Smart Defog.



TRIPWIRE AND PERIMETER

Tripwire and Perimeter is a video analytics function that provides smart detection of events captured by a security camera that supports Tripwire and perimeter. It is a more effective way of monitoring and guarding an area of interest than simple motion detection. Alcon all camera series inbuilt tripwire and perimeter advance function.

IN-BUILT MIC

Alcon all camera series is coming with in-built Mic Features. Most CCTV cameras OEM products are coming without this features .where as this feature will give both Audio and video recording will be added advantages for the end user instead of only video recording.

DIGITAL NOISE REDUCTION

Digital Noise Reduction (DNR) is a method by which the cameras imager digitally removes noise from the image. 3D DNR is an advancement of this technology which enables noise to be filtered even more effectively from the image, even in low light conditions.

HIGH LIGHT CONTROL

Alcon HLC function is designed to allow camera view vehicle license plate. HLC stands for Hight-light compensation, this technology is designed to optimize the brightness of images through using digital signal processing.

SMART DEFOG

Alcon's Smart Defog image correction algorithm, improves the whole images visibility and clarity even in very foggy weather.

PRIVACY MASKING

Privacy masking is a feature found in many IP cameras which is used to protect personal privacy by concealing parts of the image from view with a masked area. Examples of this use would be masking windows of domestic properties.

Application



Hospital



School/ College



Office



Apartment



SPECIFICATION

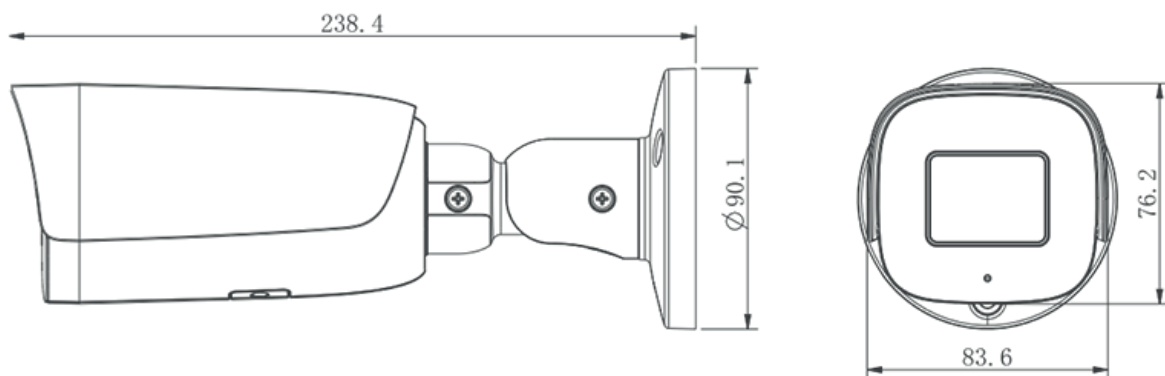
Camera	AL-5001-MPC-HD4CMDK-P
Image Sensor	1/2.7"CMOS
Min. Illumination	Color:0.002Lux@(F1.6,AGC ON),B/W:0Lux w ith IR
Shutter Time	1s~1/100000s
Day&Night	IR-cut filter w ith auto sw itch (ICR)
WDR	120dB WDR
Angle Adjustment	0~360°(P); 0~80°(T); 0~360°(R)
Lens	
Lens Type	Fixed focal lens
Focal Length	4mm
Lens Mount	M12
Aperture Range	F1.6
Field of View	91°(H); 46.4°(V); 107°(D)
Illuminator	
IR LEDs	2
IR Distance	60m
Wavelength	850nm
Compression Standard	
Video Compression	S+265/H.265/H.264B/H.264M/H.264H
Video Bit Rate	32k~6Mbps
Audio Compression	G.711A/G.711U/ADPCM_D
Audio Sampling Rate	8kHz/32kHz/48kHz
Image	
Max. Resolution	2688×1520@25fps
Main Stream	PAL:25fps(2688×1520, 2560×1440, 2304×1296, 1920×1080, 1280×720) NTSC:24fps(2688×1520, 2560×1440), 30fps(2304×1296, 1920×1080, 1280×720)
Sub Stream	PAL:25fps(704×576, 704×288, 640×360, 352×288) NTSC:30fps(704×480, 704×240, 640×360, 352×240)
BLC	Yes
HLC	Yes
AGC	Yes
3D DNR	Yes
White Balance	Auto/Semi-Auto/Manual/Sunshine/Nature Light/Warmlight Lamp/Daylight Lamp/Filament Lamp/Lock White Balance
ROI	8 rectangular static areas
OSD	Overlay of additional characters in 1 regions, 1 line, w ith a maximum of 48 characters or 16 Chinese characters per region; 16*16/32*32/48*48/64*64
Privacy Mask	4 black static areas
Defog	Yes
Feature	
Alarm Trigger	Motion Detection; Mask Alarm; Disk Full; Disk R/W Error; IP Address Conflict
Linkage Method	trigger recording; trigger capture; notify surveillance center
Video Analytics	Tripwire; Perimeter
Rules of behavior analyse in 1 scene	2
Network	
ANR	Yes
Protocols	HTTP; HTTPS; TCP/IP; UDP; UPnP; ICMP; DHCP; DNS; DDNS; Easy DDNS; NTP; QoS; IPv4; SSH; Unicast; RTSP; FTP
System Compatibility	P2P(Mutually exclusive w ith Profile G); ONVIF Profile S/T/G; CGI; Milestone
Remote Connection	≤2
Client	Alcon Smart Surveillance
Mobile Client	Alcon View





Interface	
Communication Interface	1*RJ-45, 10/100 Mbps self-adaptive Ethernet port
Reset Button	Yes (Built-in)
On-board storage	Support microSD/microSDHC/microSDXC card, up to 512 GB
General	
Web Client Language	17 languages English/Spanish/Korean/Italian/Turkish/Russian/Thai/French/Polish/Dutch/Hebrew /Arabic/Vietnamese/German/ Ukrainian/Portuguese/Albanian
Operating Temperature	-30°C~60°C(No turning on the light)
Operating Humidity	Humidity 95% or less (no condensation)
Storage Temperature	-30°C~60°C
Storage Humidity	Humidity 95% or less (no condensation)
Power Supply	POE 802.3af, MAX 7W
Protection	IP67, Lightning protection, surge protection and voltage transient protection meets EN 55035:2017
Boundary Dimensions	165(L)73(W)73(H)mm
Package Dimensions	215(L)95(W)120(H)mm
Gross Weight	0.47kg
Certification	FCC, CE, BIS & RoHS

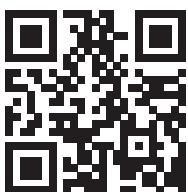
DIMENSIONS



ORDERING INFORMATION

AL-5001-MPC-HD4CMDK-P

4MP AI LONG RANGE 60M IR BULLET CAMERA



*Product specifications and availability are subject to change without notice.

