

4MP Super Starlight Colour Bullet Camera



Alcon Sleek Full HD Colour Bullet Camera

The Alcon AL-5001-MPC-HD4CMDK-UP Fixed Lens IP Camera with IR Illuminator Provides high-resolution images for round-the-clock surveillance over IP networks & color picture in dark conditions. It supports up to S+265 compression formats and delivers excellent picture quality in 2688×1520 resolutions IR-Cut filter and built-in IR illuminators support upto 15-20M Whitelight It supports Power-Over-Ethernet. It is an ideal solution for indoor surveillance application ssuch as school, college, hospitals, training center, restaurants, conference hall etc.

Key features

- 2688×1520, In-built Mic
- S+265/H.265/H.264
- Min. illumination Color:0.0001Lux@(F1.0,AGC ON)
- POE, IP67
- Whitelight Distance 15-20M
- Support tripwire and perimeter In VCA
- SD Card Upto 512GB, 120dB WDR
- BLC/3D DNR/HLC/WDR/Smart Defog

LATEST COMPRESSION H.265+ TECHNOLOGY

ALCON cameras and NVRS are coming with H.265+ can save approximate 80% bitrate than H.264 technology 100:20...80% less storage another new gen technology circuit making it extremely durable and best suitable for Industrial type installations.



TRIPWIRE AND PERIMETER

Tripwire and Perimeter is a video analytics function that provides smart detection of events captured by a security camera that supports Tripwire and perimeter. It is a more effective way of monitoring and guarding an area of interest than simple motion detection. Alcon all camera series inbuilt tripwire and perimeter advance function.

IN-BUILT MIC

Alcon all camera series is coming with in-built Mic Features. Most CCTV cameras OEM products are coming without this features .where as this feature will give both Audio and video recording will be added advantages for the end user instead of only video recording.

DIGITAL NOISE REDUCTION

Digital Noise Reduction (DNR) is a method by which the cameras imager digitally removes noise from the image. 3D DNR is an advancement of this technology which enables noise to be filtered even more effectively from the image, even in low light conditions.

HIGH LIGHT CONTROL

Alcon HLC function is designed to allow camera view vehicle license plate. HLC stands for Hight-light compensation, this technology is designed to optimize the brightness of images through using digital signal processing.

SMART DEFOG

Alcon's Smart Defog image correction algorithm, improves the whole images visibility and clarity even in very foggy weather.

PRIVACY MASKING

Privacy masking is a feature found in many IP cameras which is used to protect personal privacy by concealing parts of the image from view with a masked area. Examples of this use would be masking windows of domestic properties.

Application



Hospital



School/ College



Office



Apartment



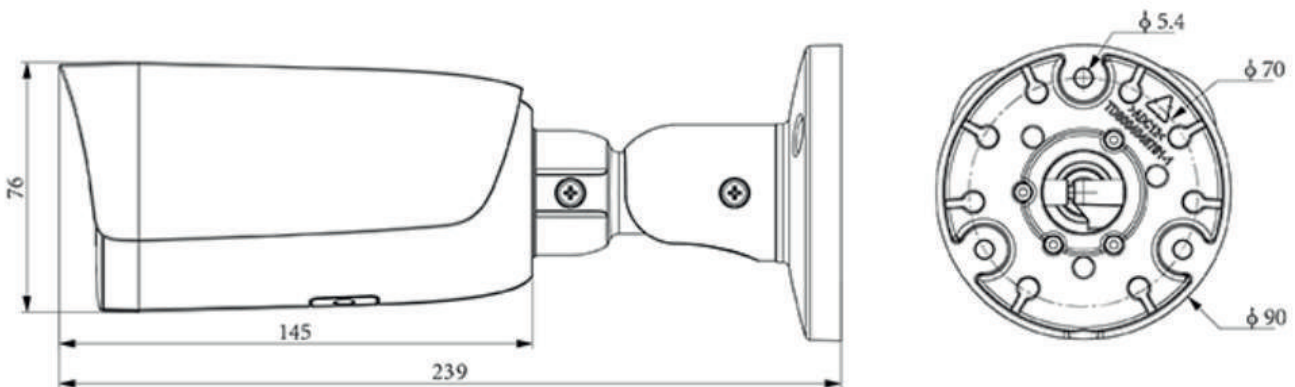
SPECIFICATION

Camera		AL-5001-MPC-HD4CMDK-UP
	•	0 1/1.8"CMOS
Min. Illumination		Color:0.0001Lux@(F1.0,AGC ON),B/W:0Lux w ith IR
Shutter Time		1s~1/100000s
WDR		120dB
Angle Adjustment		0~360°(P); 0~90°(T); 0~360°(R)
Lens		
Lens Type		Fixed focal lens
Focal Length		4mm
Lens Mount		M16
Aperture Range		F1.0
Field of View		94.5°(H); 50.2°(V); 110.2°(D)
Illuminator		
White LEDs		4
Whitelight Distance		15m
Compression Standard		
Video Compression		S+265/H.265/H.264B/H.264M/H.264H/Motion JPEG
Video Bit Rate		32k~16Mbps
Audio Compression		G.711A/G.711U/ADPCM_D/AAC_LC
Audio Sampling Rate		8kHz/32kHz/48kHz
Image		
Max. Resolution		2688×1520@25fps
Main Stream		PAL:25fps(2688×1520, 2560×1440, 2304×1296), 50fps(1920×1080, 1280×720) NTSC:30fps(2688×1520, 2560×1440, 2304×1296), 60fps(1920×1080, 1280×720)
Sub Stream		PAL:25fps(704×576, 704×288, 352×288, 640×360) NTSC:30fps(704×480, 704×240, 352×240, 640×360)
Third Stream		PAL:25fps(1280×720, 704×576, 704×288, 352×288) NTSC:30fps(1280×720, 704×480, 704×240, 352×240)
BLC		Yes
HLC		Yes
AGC		Yes
3D DNR		Yes
White Balance		Auto/Semi-Auto/Manual/Sunshine/Nature Light/Warmlight Lamp/Daylight Lamp/Filament Lamp/Lock White Balance
ROI		8 rectangular static areas
Corridor mode		Yes
OSD		Overlay of additional characters in 5 regions, 2 lines, with a maximum of 127 characters or 42 Chinese characters per region; 16*16/32*32/48*48/64*64/96*96
Picture Overlay		1*200x200 size BMP 24 color bit image overlay
Privacy Mask		4 black static areas
Defog		Yes
Feature		
Alarm Trigger		Motion Detection; Mask Alarm; Voltage Alarm; Disk Full; Disk R/W Error; IP Address Conflict; MAC Address Conflict; FTP Server Exception
Linkage Method		send email; trigger recording; trigger capture; notify surveillance center
Video Analytics		Human/Vehicle Classification; Tripwire; Perimeter
Rules of behavior analyse in 1 scene		7



Network	
ANR	Yes
Protocols	HTTP, HTTPS, TCP/IP, UDP, UPnP, iVMS, iGMS, ONVIF, RTSP, DNS, DDNS, Easy DDNS, NTP, SMTP, SSL; 802.1X; QoS; IPv4; IPv6; PPPOE; SSH; Unicast; Multicast; RTCP; ARP; RTP; SRTP; RTSP; FTP; SFTP; NFS
System Compatibility	ONVIF Profile S/T/G/M; CGI; Milestone; RTMP
Remote Connection	≤7
Client	Alcon Smart Surveillance
Mobile Client	Alcon View
Interface	
Communication Interface	1*RJ-45,10/100 Mbps self-adaptive Ethernet port
Reset Button	Yes
On-board storage	Support microSD/microSDHC/microSDXC card, up to 512 GB
RTC	Yes
General	
Web Client Language	English/Spanish/Korean/Italian/Turkish/Russian/Thai/French/Polish/Dutch/Hebrew /Arabic/Vietnamese /German/Ukrainian/Portuguese/Albanian
Operating Temperature	-40 ~65 (No turning on the light)
Operating Humidity	Humidity 95% or less (no condensation)
Storage Temperature	-40 ~65
Storage Humidity	Humidity 95% or less (no condensation)
Power Supply	DC12V±25%,MAX 8.0W; POE 802.3af,MAX 9.0W
Protection	IP67, Lightning protection, surge protection and voltage transient protection meets EN 55035:2017
Boundary Dimensions	239(L)90(W)90(H)mm
Package Dimensions	280(L)125(W)140(H)mm
Gross Weight	1.28kg
Certification	FCC, CE, BIS & RoHS

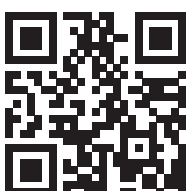
DIMENSIONS



ORDERING INFORMATION

AL-5001-MPC-HD4CMDK-UP

4MP Super Starlight Color Bullet Camera



*Product specifications and availability are subject to change without notice.

