

Bispectral Bullet Camera

The Fusion of Thermal Imaging and Ai Technology Makes the Alarm More Accurate



Alcon Advanced Long Range Thermal Bullet Camera

The Alcon AL-5001-MPC-HD5CMDK-T Bispectral Bullet Camera Alcon provides humanoid, vehicle detection and powerful behavior analyses fence perimeter for thermal cameras are based on deep learning algorithm, allowing Camera alarm accuracy and reduction of false alarms.

Our thermal imaging camera not only supports perimeter protection but also supports 3 types of temperature measurement rules. Thermal cameras can detect abnormal temperature in key areas and trigger alarms in the first place to prevent fires.

Key features

- 256×192 resolution, 12μm, Vox
- Temperature exception alarm for fire prevention
- Up to Optical: 2880×1620@30fps Thermal:1280×720@25fps
- S+265/H.265/H.264B/H.264M/H.264H/Motion JPEG
- Color:0.002Lux@(F1.6,AGC ON),B/W:0Lux with IR
- IR range up to 50m
- Built-in Mic, Built-in Speaker
- Support microSD/microSDHC/microSDXC card, up to 512GB
- Support smart surveillance
- Support human/vehicle classification
- Operating conditions -40°C~65°C(-40°C~149°C), ≤95%RH

Application



Electric Transmission



Railway Station



Forest fire



Industries



SPECIFICATION

Thermal	
Image Sensor	Vanadium Oxide Uncooled Focal Plane Arrays
Resolution	256 × 192
Pixel Pitch	12µm
Spectral Range	8µm to 14µm
Focal Length	6.8mm
NETD	≤55 mK(@25 , F#=1.1)
Aperture	F1.1
Field of View	Horizontal FOV:26°, Vertical FOV:20°

Camera	
Image Sensor	1/2.7"CMOS
Min. Illumination	Color:0.002Lux@(F1.6,AGC ON),B/W:0Lux w ith IR
Shutter Time	1s~1/100000s
Day&Night	IR-cut filter w ith auto sw itch (ICR)
Smart IR	Yes
WDR	120dB
Angle Adjustment	0~360°(P); 0~90°(T); 0~360°(R)

Camera	
Image Sensor	1/2.7"CMOS
Min. Illumination	Color:0.002Lux@(F1.6,AGC ON),B/W:0Lux w ith IR
Shutter Time	1s~1/100000s
Day&Night	IR-cut filter w ith auto sw itch (ICR)
Smart IR	Yes
WDR	120dB
S/N	>39dB
Angle Adjustment	0~360°(P); 0~90°(T); 0~360°(R)

Lens	
Lens Type	Fixed focal lens
Focal Length	Thermal:3mm;Optical:4mm
Lens Mount	M12
Aperture Range	Thermal:F1.1;Optical:F1.6
Aperture Type	Fixed
Field of View	Thermal:56°(H);Optical:88.7°(H); Thermal:42°(V);Optical:46.8°(V); Thermal:70°(D);Optical:100.3°(D)
DORI Distance	Detect:80m Observe:31.5m Recognize:16m Identify:8m

Illuminator	
IR LEDs	2
IR Distance	Up to 50m
Wavelength	850nm
White LEDs	2
Whitelight Distance	15m

Compression Standard	
Video Compression	S+265/H.265/H.264B/H.264M/H.264H/Motion JPEG
Video Bit Rate	32k~16Mbps
Audio Compression	G.711A/G.711U/ADPCM_D/AAC_LC
Audio Sampling Rate	8kHz/32kHz/48kHz

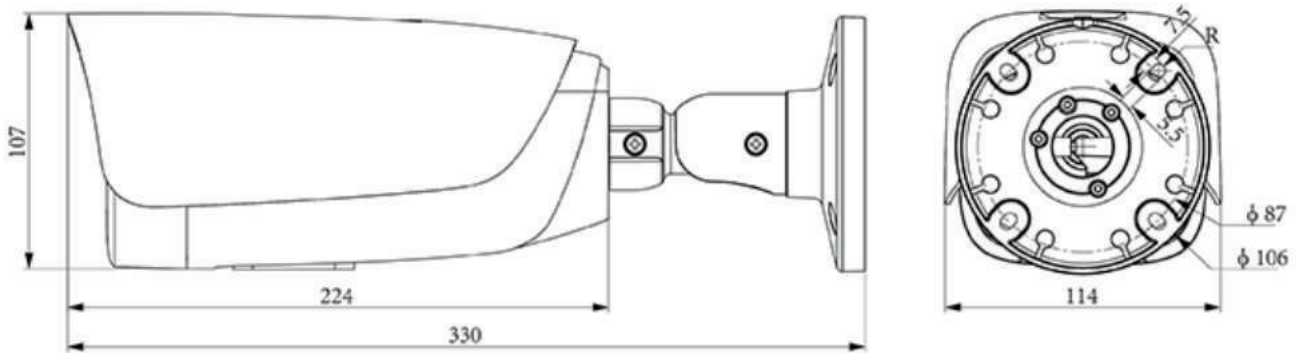


Image	
Max. Resolution	Optical: 2880×1620@30fps Thermal: 1280×720@25fps
Main Stream	Optical: PAL:25fps(2880×1620, 2688×1520, 2560×1440, 2304×1296) NTSC:30fps(2880×1620, 2688×1520, 2560×1440, 2304×1296) Thermal: PAL:25fps(1280×720, 704×576, 640×480, 352×288) NTSC:25fps(1280×720, 704×480, 640×480, 352×240)
Sub Stream	Optical: PAL:25fps(704×576, 704×288, 640×360, 352×288) NTSC:30fps(704×480, 704×240, 640×360, 352×240) Thermal: PAL:25fps(704×576, 640×480, 352×288) PAL:25fps(704×480, 640×480, 352×240)
BLC	Yes
HLC	Yes
AGC	Yes
3D DNR	Yes
White Balance	Auto/Semi-Auto/Manual/Sunshine/Nature Light/Warmlight Lamp/Daylight Lamp/Filament Lamp/Lock White Balance
ROI	8 rectangular static areas
OSD	Optical: Overlay of additional characters in 5 regions, 2 lines, with a maximum of 127 characters or 42 Chinese characters per region Thermal: Overlay of additional characters in 1 area, 2 lines, with a maximum of 127 characters or 42 Chinese characters per area; 16*16/32*32/48*48/64*64/96*96
Picture Overlay	1*200x200 size BMP 24 color bit image overlay
Privacy Mask	4 black static areas
Defog	Yes
Feature	
General Alarm	Motion Detection; Mask Alarm; Alarm Input
Exceptions Alarm	Voltage Alarm; Disk Full; Disk R/W Error; IP Address Conflict; MAC Address Conflict; FTP Server Exception
Linkage Method	Send Email; Trigger Sound; Trigger Warmlight; Trigger Recording; Trigger Capture; Notify Surveillance Center; Alarm Output
Video Analytics	Human/Vehicle Classification; Tripwire; Double Tripwire; Perimeter; Video Abnormal; Audio Abnormal
Rules of Behavior Analyse In 1 Scene	8
Network	
ANR	Yes
Protocols	HTTP, HTTPS; TCP/IP, UDP, UPnP, ICMP, IGMP, SNMP v1/v2/v3; DHCP, DNS; DDNS; Easy DDNS; NTP; SMTP; TLS v1.2; SSL; 802.1X; QoS; IPv4; IPv6; PPPoE; SSH; Unicast; Multicast; RTCP; ARP; SRTP; FTP; SFTP
System Compatibility	ONVIF(Profile S/T/G/M) ; SDK; CGI; Milestone; RTSP; RTMP
Remote Connection	≤7
Client	Alcon Smart Surveillance
Mobile Client	Alcon View
Web	IE10+; Firefox52+; Edge89+; Safari11+; Chrome57+
Interface	
Communication Interface	1*RJ-45 (10/100 Base-T)
Audio I/O	1; 1
Alarm I/O	2-ch,TTL inputs,3mA,3.3VDC; 1-ch,relay output,1A,24VDC
Built-in Mic	Yes
Built-in Speaker	Yes
Reset Button	Yes
On-board Storage	Support microSD/microSDHC/microSDXC card, up to 512GB
RTC	Yes
Additional Interfaces	RS-485



General	
Web Client Language	English/Spanish/Korean/Italian/Turkish/Russian/Thai/French/Polish/Dutch/Hebrew /Arabic/Vietnamese/German/Ukrainian/Portuguese/Albanian
Operating Temperature	-40°C~65°C(-40°F~149°F)
Operating Humidity	≤95%RH
Storage Temperature	-40°C~65°C(-40°F~149°F)
Storage Humidity	10%~95%RH(non-condensing)
Power Supply	DC12V±25%,Max. 7W; PoE:IEEE 802.3af,Max. 8W
Protection	Surge4000V; ESD6000V; IP67
Boundary Dimensions	327(L)114(W)105(H)mm
Package Dimensions	360(L)150(W)170(H)mm
GrossWeight	1.85kg
Certification	CE & RoHS

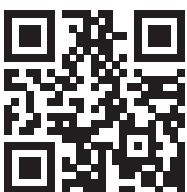
DIMENSIONS



ORDERING INFORMATION

AL-5001-MPC-HD5CMDK-T

Bispectral thermal 5MP Bullet Camera



*Product specifications and availability are subject to change without notice.

