

AL-5001-MPC-HD5MVDK-P

# 5MP S+265 STARLIGHT 60M IR BULLET CAMERA

SUPER WDR 120dB, Support Human/Vehicle Classification



## OVERVIEW

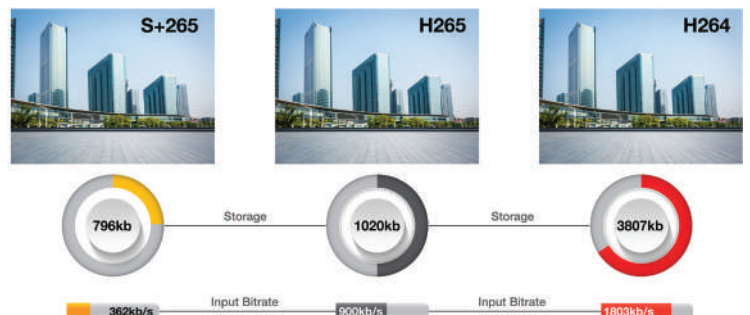
Alcon Smart Ultra Quad HD Motorized Varifocal Starlight Bullet Camera The Alcon AL-5001-MPC-HD5MVDK-P Camera with Starlight Low Light Technology, Super WDR and S+265 Video Compression with Dual ICR is, in true sense of an Ultra Smart IP Camera that provides high resolution images for round-the-clock surveillance over IP networks. It supports S+265/ H.265/H.264, MPEG-4, and JPEG compression formats and delivers excellent picture quality in 5MP resolutions. It is also equipped with a mounting bracket that conceals all cables within for easy management and waterproofing. Furthermore, the IP67-rated housing protects against rain and dust and ensures stable operation under extreme weather conditions. IR-Cut filter & built-in IR illuminators enables the camera to provide color (0.002Lux) video in low light condition and black/white clear video in extreme dark conditions. The inbuilt white light LED enables to scare off offenders from the scene. It supports flexible power supply options of either Power-Over-Ethernet or adapter power. It is an ideal solution for outdoor and indoor surveillance applications such as buildings, roads, parking areas, garages, railway stations and airports etc.

## FEATURES

- Full Metal Housing
- Motorized Lens 2.7-13.5mm
- Up to 2592x1944@30fps, 1920x1080@60fps
- S+265/ H.265/ H.264/M-JPEG
- Min. illumination Color: 0.002Lux@F1.6
- Smart IR, IR Range: 60m
- Support Video Analytics
- Support Human/Vehicle Classification
- Support Face Capture Mode
- Built-in Mic, audio I/O 1/1, alarm I/O 2/1
- Plugin Free
- Operating Conditions -35°C~65°C, 0~95% RH
- POE, IP67

## LATEST COMPRESSION S+265 TECHNOLOGY

ALCON cameras and NVRS are coming with S+265 can save approximate 80% bitrate than H.264 technology 100:20....80% less storage another new gen technology circuit making it extremely durable and best suitable for Industrial type installations.



S+265 can save approximate 50% bitrate than H.265 technology, saves 70%-80% bandwidth compared with H.264

## AUTO FOCUS

Alcon autofocus Camera is an ideal choice for surveillance and monitoring when the field of view encompasses large differences in distances of the target or the target is moving and often changes its distance to the camera. Alcon autofocus Camera lenses are zoom lenses; a variation of this type of lens is a vari-focal lens which can vary its focal length by manual adjustment and can zoom upto 4X Remotely.



## STARLIGHT TECHNOLOGY

ALCON starlight 0.002 Lux (Starlight) series is most advance product with low light scenario with Cristal clear and color picture on Night.

## SUPER WDR (120 dB)

Commonly used Digital WDR (D-WDR), which is a software-based technique to enhance image by adjusting the gamma value to enhance dark areas is responsible for image deterioration (i.e. the image being washed out). Alcon sensor-based WDR technology allows the camera to record greater scene details with true color reproduction even under the extreme back light and high contrast conditions. The ratio that the brightest light signal values divided by the darkest light signal values is up to 120dB.



## TRIPLE STREAMING

The Alcon all Camera Series supports 3 simultaneous streams. Stream 1 for Local Recording and Viewing at full resolution, stream 2 for Remote viewing and recording over the internet and stream 3 for special applications, Smart Phones and hand held devices. Keeping in mind the growing trend of video analytics and Smart Phone applications, this feature enhances analytics and mobile viewing experience over conventional IP Camera having Dual Stream only.

## PRIVACY MASKING

Privacy masking is a feature found in many IP cameras which is used to protect personal privacy by concealing parts of the image from view with a masked area. Examples of this use would be masking windows of domestic properties.

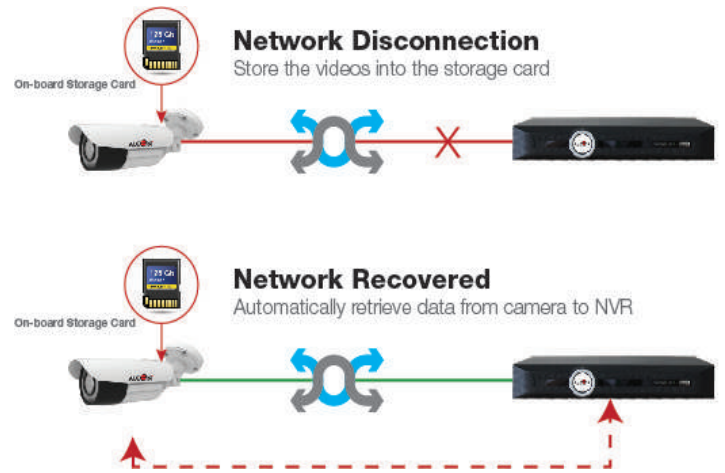


## HIGH LIGHT CONTROL

Alcon HLC function is designed to allow camera capture vehicle plate license. HLC stands for High-light compensation, this technology is designed to optimize the brightness of images through using digital signal processing.

## ANR FEATURES

NVRs (Network Video Recorders) with the ANR (Automatic Network Replenishment) function can automatically store video data on the IPC (Internet Protocol Camera) storage card when the network is disconnected. After recovery of the network, the NVR automatically retrieves the video data stored on the camera.



## REGION OF INTEREST

A region of interest is a specified part of a Alcon CCTV camera view that is highlighted and broadcast to a separate stream from a camera.

## SMART DEFOG

Alcon's Smart Defog image correction algorithm, improves the whole images visibility and clarity even in very foggy weather.

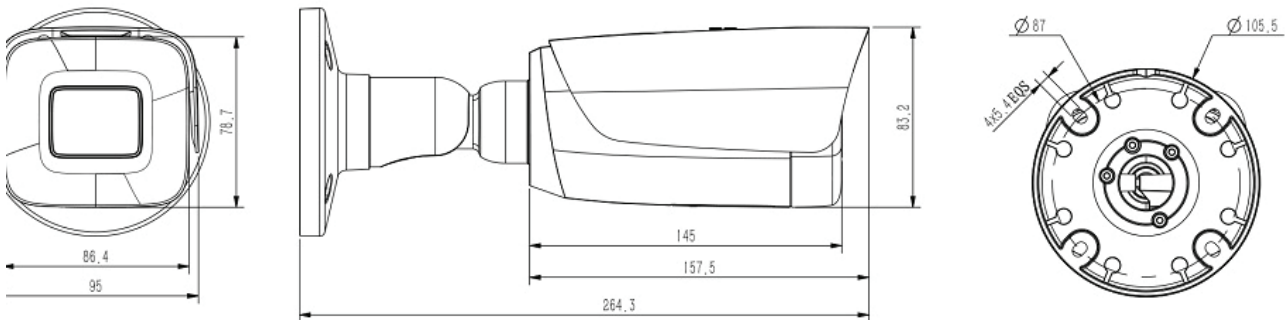


## SPECIFICATION

<b>MODEL</b>	AL-5001-MPC-HD5MVDK-P
Image Sensor	1/2.8" CMOS
Signal System	PAL/NTSC
Min. Illumination	Color: 0.002 Lux@ (F1.6, ACG ON), B/W: 0 Lux with IR
Shutter Time	1s to 1/100,000s
Day & Night	Dual IR Cut Filter with Auto Switch
Wide Dynamic Range	120dB
Angle Adjustment	Bracket, pan 0~360°, tilt 0~75°, rotate 0~360°
<b>LENS</b>	
Lens Type	Motorized
Focus	2.7-13.5mm
Lens Mount	Ø14
Aperture	F1.6~F3.3, Fixed
FOV	Horizontal field of view: 103.4°~23.8°
<b>ILLUMINATOR</b>	
IR LEDs	4
IR Range	Up to 60m
Wavelength	850nm
<b>COMPRESSION STANDRED</b>	
Video Compression	S+265/ H.265/ H.264/M-JPEG
Video Bit Rate	32Kbps~16Mbps
Audio Compression	G.711 A/G.711 U/ADPCM/AAC
Audio Bit Rate	8K~48Kbps
<b>IMAGE</b>	
Max. Resolution	2592x1944
Main Stream	PAL: 25fps (2592×1944, 2592×1520, 2560×1440, 2304×1296), 50fps (1920×1080, 1280×720)
	NTSC: 30fps (2592×1944, 2592×1520, 2560×1440, 2304×1296), 60fps (1920×1080, 1280×720)
Sub Stream	PAL: 25fps (704×576, 704×288, 640×480, 352×288)
	NTSC: 30fps (704×480, 704×240, 640×480, 352×240)
Third Stream	PAL: 25fps(1920x1080, 1280x720, 704x576, 704x288, 640x480, 352x288) NTSC: 30fps(1920x1080, 1280x720, 704x480, 704x240, 640x480, 352x240)
Image Setting	Saturation, brightness, contrast, sharpness, adjustable by client software or web browser
Image Enhancement	BLC/3D DNR/HLC/Corridor Format
ROI	Support 8 fixed regions of coding
OSD	16×16, 24×24, 32×32, 48×48, 64×64, 96×96, adaptable size, Letters Such as Week, Date, Time, Total 8 Regions
Picture Overlay	Yes
Privacy Mask	Yes, 8 regions
Smart Defog	Yes

<b>FEA TURE</b>	
Alarm Trigger	Event Input, Event Output, Motion Detection, Mask Alarm, Disk Full, Disk R/W Error, IP Address Conflict, MAC Address Conflict, FTP Server Exception
Video Analytics	Tripwire, Double Tripwire, Perimeter, Object Abandon, Object Lost, Loitering, Running, Parking, Crowded, People Counting, On Duty Detection, Video Abnormal, Audio Abnormal, Heatmap, Face Capture(Face Detection), Safety Helmet Detection, Human/Vehicle Classification
Early Warning( EW)	N/A
<b>NE TWORK</b>	
ANR	Yes, auto store video in SD card when NV R disconnected, and upload video to NV R when resumed connection (Only Support Alcon ANR NVR)
Protocols	TCP/IP, ICMP, HTTP, HTTPS, DHCP, DNS, DDNS, RTP, RTSP, RTCP, PPPoE, MULTICAST, UPnP, FTP, IPV4, NTP, SMTP, IGMP, 802.1x, QoS, IPV6, ARP, UDP, SNMP, SSL, SIP, Telnet, STP, RTMP, SFTP, NFS
System Compatibility	ONVIF (PROFILES/T/G), SDK, Milestone, CGI, P2P
Remote Connection	≤7
Client	Alcon Smart Surveillance, Easy Live
Web Version	Web6
<b>INTERFACE</b>	
Communication Interface	1 RJ45 10M/ 100M self adaptive Ethernet port, RS 485
Audio	1/1
Alarm	2/1
Reset Button	Yes
On-board storage	Built-in Micro SD card slot, up to 512 GB
<b>GE NERAL</b>	
Firmware Version	-
Web Client Language	15 languages English, Russian, Spanish, Korean, Italian, Turkish, Simple Chinese, Traditional Chinese, Thai, French, Polish, Dutch, Hebrew, Arabic, Vietnamese
Operating Conditions	-35°C~65°C, 0~95% RH
Power Supply	DC12V±25%/PoE
Power Consumption	MAX: 8.5W (12V) MAX: 10W (PoE)
Protection	IP67, Lightning protection, surge protection and voltage transient protection meets EN 55035:2017
Dimensions	264.3×95×83.2mm (10.41×3.74×3.28inch)
Weight	1.15kg (2.54lb)
Certification	BIS, CE & FCC

## DIMENSIONS



## ORDERING INFORMATION

AL-5001-MPC- HD5MVDK-P

5MP S+265 Starlight Motorized 60M IR Bullet Camera



\*Product specifications and availability are subject to change without notice.

