

8MP ADVANCED STARLIGHT 50M IR BULLET CAMERA



Alcon 8MP Advanced Starlight IR Bullet Camera

The Alcon AL-5001-MPC-HD8CMDK-S Fixed Lens IP Camera with IR Illuminator provides high resolution images for round-the-clock surveillance over IP networks & color picture in dark conditions. It supports up to S+265 compression formats and delivers excellent picture quality in 3840x2160@30fps resolutions. Furthermore, the IP67-rated housing protects against rain and dust and ensure stable operation under extreme weather conditions. IR-Cut filter and built-in IR illuminators support up to 50MTR IR distance. The Alcon AL-5001-MPCHD8CMDK-S also come with Lightning, surge and voltage transient protection which meets electromagnetic compatibility standard EN 55035:2017. It supports flexible power supply options of either Power-Over-Ethernet or adaptor power. It is an ideal solution for outdoor and indoor surveillance applications such as school, college, hospital, training center, restaurant, conference hall etc.

Key features

FEATURES

- Full Metal Housing
- Up to 3840x2160@30fps
- S+265/H.265/H.264
- Color:0.002Lux@(F1.6,AGC ON),B/W:0Lux with IR
- 120dB WDR, MIC In
- Smart IR, IR Range: 50m,
- Support tripwire and perimeter
- Built-in Mic, SD Card Slot
- POE, IP67 & Reset Button
- Lightning , surge and voltage protection

LATEST COMPRESSION H.265+ TECHNOLOGY

ALCON cameras and NVRs are coming with S+265 can save approximate 80% bitrate than H.264 technology 100:20....80% less storage another new gen technology circuit making it extremely durable and best suitable for Industrial type installations.



S+265 can save approximate 80% bitrate than H.264 technology, saves 70%-80% bandwidth compared with H.264



TRIPWIRE AND PERIMETER

Alcon autofocus Camera is an ideal choice for surveillance and monitoring when the field of view encompasses large differences in distances of the target or the target is moving and often changes its distance to the camera. Alcon autofocus Camera lenses are zoom lenses; a variation of this type of lens is a vari-focal lens which can vary its focal length by manual adjustment and can zoom upto 4X Remotely.

STARLIGHT TECHNOLOGY

ALCON starlight 0.002Lux (DARK KNIGHT) series is most advanceproduct with low light scenario with Cristal clear and color picture on Night

SUPER WDR (120dB)

Commonly used Digital WDR (D-WDR), which is a software-based technique to enhance image by adjusting the gamma value to enhance dark areas is responsible for image deterioration (i.e. the image being washed out). Alcon sensor-based WDR technology allows the camera to record greater scene details with true color reproduction even under the extreme back light and high contrast conditions. The ratio that the brightest light signal values divided by the darkest light signal values is up to 120dB.

ANR FEATURES

NVRs (Network Video Recorders) with the ANR (Automatic Network Replenishment) function can automatically store video data on the IPC (Internet Protocol Camera) storage card when the network is disconnected. After recovery of the network, the NVR automatically retrieves the video data stored on the camera.

TRIPLE STREAMING

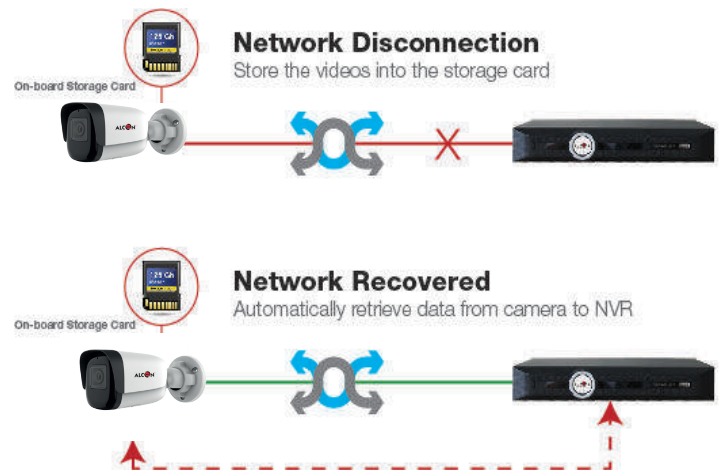
The Alcon all Camera Series supports 3 simultaneous streams.Stream 1 for Local Recording and Viewing at full resolution, stream 2 for Remote viewing and recording over the internet and stream 3 for special applications, Smart Phones and hand held devices. Keeping in mind the growing trend of video analytics and Smart Phone applications, this feature enhances analytics and mobile viewing experience over conventional IP Camera having Dual Stream only

ELECTROMAGNETIC PROTECTION

The Camera also comes with Lightning, surge and voltage transient protection which meets electromagnetic compatibility standard EN 55035:2017. This standard protects the camera from lightning & over power.

HIGH LIGHT CONTROL

Alcon HLC function is designed to allow camera capture vehicle plate license. HLC stands for Hight-light compensation, this technology is esigned to optimize the brightness of images through using digital signal processing.



Application



Hospital



School/ College



Office



Apartment



SPECIFICATION

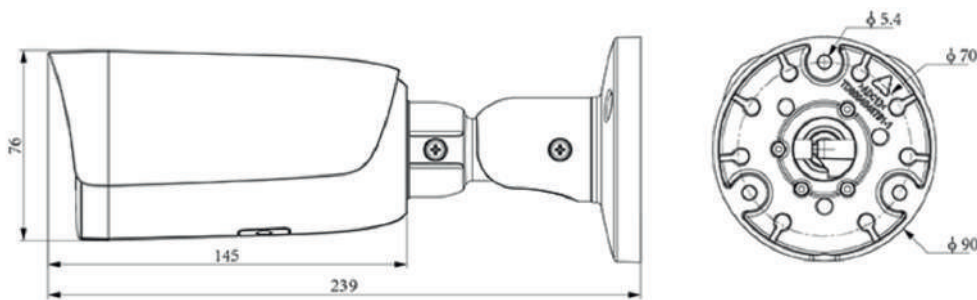
Camera		AL-5001-MPC-HD8CMDK-S
Image Sensor		1/2.8"CMOS
Min. Illumination		Color:0.002Lux@(F1.6,AGC ON),B/W:0Lux with IR
Shutter Time		1s~1/100000s
Day&Night		IR-cut filter with auto switch (ICR)
Smart IR		Yes
WDR		120dB
Angle Adjustment		0~360°(P); 0~90°(T); 0~360°(R)
Lens		
Lens Type		Fixed focal lens
Focal Length		4mm
Lens Mount		M12
Aperture Range		F1.6
Aperture Type		Fixed
Field of View		105.3°(H); 56.9°(V); 119.7°(D)
Illuminator		
IR LEDs		2
IR Distance		Up to 50m
Wavelength		850nm
Compression Standard		
Video Compression		S+265/H.265/H.264B/H.264M/H.264H/Motion JPEG
Video Bit Rate		32k~16Mbps
Audio Compression		G.711A/G.711U/ADPCM_D/AAC_LC
Audio Sampling Rate		8kHz/32kHz/48kHz
Image		
Max. Resolution		8MP,3840×2160@30fps
Main Stream		PAL:25fps(3840×2160, 3072×2048, 2560×1440, 2304×1296, 1920×1080, 1280×720) NTSC:30fps(3840×2160, 3072×2048, 2560×1440, 2304×1296, 1920×1080, 1280×720)
Sub Stream		PAL:25fps(704×576, 704×288, 640×360, 352×288) NTSC:30fps(704×480, 704×240, 640×360, 352×240)
Third Stream		PAL:25fps(704×576, 704×288, 352×288, 640×480) NTSC:30fps(704×480, 704×240, 352×240, 640×360)
BLC		Yes
HLC		Yes
AGC		Yes
3D DNR		Yes
White Balance		Auto/Semi-Auto/Manual/Sunshine/Nature Light/Warmlight Lamp/Daylight Lamp/Filament Lamp/Lock White Balance
ROI		8 rectangular static areas
Corridor Mode		Yes
OSD		Overlay of additional characters in 5 regions, 2 lines, with a maximum of 127 characters or 42 Chinese characters per region; 16*16/32*32/48*48/64*64/96*96
Picture Overlay		1*200x200 size BMP 24 color bit image overlay
Privacy Mask		4 black static areas
Defog		Yes
Feature		
General Alarm		Motion Detection; Mask Alarm
Exceptions Alarm		Voltage Alarm; Disk Full; Disk R/W Error; IP Address Conflict; MAC Address Conflict; FTP Server Exception
Linkage Method		Send Email; Trigger Sound; Trigger Recording; Trigger Capture; Notify Surveillance Center; Alarm Output
Video Analytics		Human/Vehicle Classification; Tripwire; Perimeter
Rules of Behavior Analyse In 1 Scene		8
Network		
ANR		Yes
Protocols		HTTP; HTTPS; TCP/IP; UDP; UPnP; ICMP; IGMP; SNMP v1/v2/v3; DHCP; DNS; DDNS; Easy DDNS; NTP; SMTP; TLS v1.2; SSL; 802.1X; QoS; IPv4; IPv6; PPPoE; SSH; Unicast; Multicast; RTCP; ARP; SRTP; FTP; SFTP
System Compatibility		ONVIF(Profile S/T/G/M) ; SDK; CGI; Milestone; RTSP; RTMP
Remote Connection		≤7
Client		Alcon Smart Surveillance
Mobile Client		Alcon View
Web		IE10+; Firefox52+; Edge89+; Safari11+; Chrome57+





Interface	
Communication Interface	1*RJ-45 (10/100 Base-T)
Audio I/O	1; 1
Alarm I/O	1-ch, TTL input, 3mA, 3.3VDC; 1-ch, TTL output, 30mA, 12VDC
Built-in Mic	Yes
Reset Button	Yes
On-board Storage	Support microSD/microSDHC/microSDXC card, up to 512GB
RTC	Yes
General	
Web Client Language	English/Spanish/Korean/Italian/Turkish/Russian/Thai/French/Polish/Dutch/Hebrew/Arabic/Vietnamese/German/Ukrainian/Portuguese/Albanian
Operating Temperature	-40°C~65°C(-40°F~149°F)
Operating Humidity	≤95%RH
Storage Temperature	-40°C~65°C(-40°F~149°F)
Storage Humidity	10%~95%RH(non-condensing)
Power Supply	DC12V±25%, Max. 6.5W; PoE:IEEE 802.3af, Max. 8W
Protection	Surge4000V; ESD6000V; IP67
Boundary Dimensions	160(L)73(W)73(H)mm
Package Dimensions	215(L)95(W)120(H)mm
Gross Weight	0.65kg
Certification	FCC, CE, BIS & RoHS

DIMENSIONS



ORDERING INFORMATION

AL-5001-MPC-HD8CMDK-S

8MP Starlight 50M IR Bullet Camera



*Product specifications and availability are subject to change without notice.

