

2MP Smart Dome Camera



Alcon Sleek Full HD IR Dome Camera

The Alcon AL-5002-MPC-HD2LML Fixed Lens IP Camera with IR Illuminator provides high resolution images for round-the-clock surveillance over IP networks. It supports up to S+265 compression formats and delivers excellent picture quality in Full-HD 1920x1080p@30fps resolutions. Furthermore, the IP66- rated housing protects against dust and ensure stable operation under extreme weather conditions. IR-Cut filter and built-in IR illuminators support up to 30MTR IR distance. It supports Power-Over-Ethernet. It is an ideal solution for outdoor and indoor surveillance applications such as school, college, hospital, training center, restaurant, conference hall etc.

Key features

- 1920x1080@30fps
- In-built Mic
- H.265+/H.265/H.264
- Minillumination Color: 0.02Lux@F2.0
- Smart IR, IR Range: 30m
- POE & IP66
- Operating Conditions -35°-65°, 0~95% RH

LATEST COMPRESSION H.265+ TECHNOLOGY

ALCON cameras and NVRS are coming with H.265+ can save approximate 80% bitrate than H.264 technology 100:20...80% less storage another new gen technology circuit making it extremely durable and best suitable for Industrial type installations.



HIGH LIGHT CONTROL

Alcon HLC function is designed to allow camera view vehicle license plate. HLC stands for Hight-light compensation, this technology is designed to optimize the brightness of images through using digital signal processing.

IN-BUILT MIC

Alcon all camera series is coming with in-built Mic Features. Most CCTV cameras OEM products are coming without this features .where as this feature will give both Audio and video recording will be added advantages for the end user instead of only video recording.

DIGITAL NOISE REDUCTION

Digital Noise Reduction (DNR) is a method by which the cameras imager digitally removes noise from the image. 3D DNR is an advancement of this technology which enables noise to be filtered even more effectively from the image, even in low light conditions.

SMART DEFOG

Alcon's Smart Defog image correction algorithm, improves the whole images visibility and clarity even in very foggy weather.

PRIVACY MASKING

Privacy masking is a feature found in many IP cameras which is used to protect personal privacy by concealing parts of the image from view with a masked area. Examples of this use would be masking windows of domestic properties.

Application



Hospital



School/ College



Office



Apartment

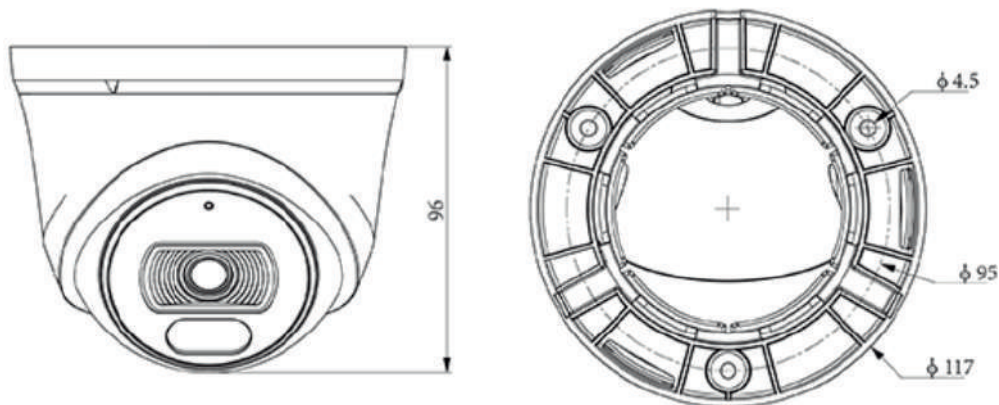


Camera		AL-5002-MPC-HD2LML
Image Sensor		1/2.9"CMOS
Min. Illumination		Color:0.02Lux@(F2.0,AGC ON),B/W:0Lux with IR
Shutter Time		1s~1/100000s
Day&Night		IR-cut filter with auto switch (ICR)
Smart IR		Yes
WDR		DWDR
S/N		>37dB
Angle Adjustment		0~340°(P); 0~75°(T); 0~360°(R)
Lens		
Lens Type		Fixed focal lens
Focal Length		2.8mm
Lens Mount		M12
Aperture Range		F2.0
Aperture Type		Fixed
Field of View		102.8°(H); 57.6°(V); 117.8°(D)
DORI Distance		Detect:40.0m Observe:15.9m Recognize:8.0m Identify:4.0m
Illuminator		
IR LEDs		2
IR Distance		Up to 30m
Wavelength		850nm
Compression Standard		
Video Compression		S+265/H.265/H.264B/H.264M/H.264H
Video Bit Rate		32k~4Mbps
Audio Compression		G.711A/G.711U
Audio Sampling Rate		8kHz
Image		
Max. Resolution		2MP,1920×1080@30fps
Main Stream		PAL:25fps(1920×1080, 1280×720, 704×576, 640×480) NTSC:30fps(1920×1080, 1280×720, 704×480, 640×480)
Sub Stream		PAL:25fps(704×576, 704×288, 640×360, 352×288) NTSC:30fps(704×480, 704×240, 640×360, 352×240)
BLC		Yes
HLC		Yes
AGC		Yes
3D DNR		Yes
White Balance		Auto/Semi-Auto/Manual/Sunshine/Nature Light/Warmlight Lamp/Daylight Lamp/Filament Lamp/Lock White Balance
OSD		Overlay of additional characters in 1 regions, 1 line, with a maximum of 48 characters or 16 Chinese characters per region; 16*16/32*32/48*48
Privacy Mask		4 black static areas
Defog		Yes
Feature		
General Alarm		Motion Detection
Exceptions Alarm		IP Address Conflict
Network		
Protocols		HTTP; TCP/IP; UDP; ICMP; DHCP; DNS; NTP; IPv4; Telnet; Unicast; RTSP
System Compatibility		ONVIF(Profile S/T) ; SDK; CGI; Milestone; RTSP
Remote Connection		≤2
Client		Alcon Smart Surveillance
Web		IE10+; Firefox52+; Edge89+; Safari11+; Chrome57+



Interface	
Communication Interface	1*RJ-45 (10/100 Base-T)
Built-in Mic	Yes
General	
Web Client Language	English
Operating Temperature	-30°C~60°C(-22°F~140°F)
Operating Humidity	≤95%RH
Storage Temperature	-30°C~60°C(-22°F~140°F)
Storage Humidity	10%~95%RH(non-condensing)
Power Supply	PoE:IEEE 802.3af,Max. 6W
Protection	Surge4000V; ESD6000V
Boundary Dimensions	117(L)117(W)96(H)mm
Package Dimensions	140(L)140(W)120(H)mm
GrossWeight	0.34kg
Certification	FCC, CE, BIS & RoHS

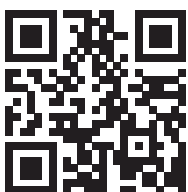
DIMENSIONS



ORDERING INFORMATION

AL-5002-MPC-HD2LML

2MP Smart 30M Dome Camera



*Product specifications and availability are subject to change without notice.

