

# 4MP Fixed True Color White Light Dome Camera



## Alcon Sleek Full HD White Light Bullet Camera

The Alcon AL-5002-MPC-HD4CMDK-T Fixed Lens IP Camera with True Color technology provides high resolution colorful images for round-the clock surveillance over IP networks in dark conditions. It supports up to S+265 compression formats and delivers excellent picture quality in 2560x1440@25fps resolutions. Furthermore, the IP66-rated housing protects against rain and dust and ensure stable operation under extreme weather conditions. Built-in two nos. white light LEDs support up to 15-20MTR distance to produce true color picture. The Alcon AL-5002-MPC-HD4CMDK-T also come with Lightning, surge and voltage transient protection which meets electromagnetic compatibility standard EN55035:2017. It supports flexible power supply options of either Power-Over-Ethernet or adaptor power. It is an ideal solution for outdoor and indoor surveillance applications such as school, college, hospital, training center, restaurant, conference hall etc.

## LATEST COMPRESSION H.265+ TECHNOLOGY

ALCON cameras and NVRS are coming with H.265+ can save approximate 80% bitrate than H.264 technology 100:20...80% less storage another new gen technology circuit making it extremely durable and best suitable for Industrial type installations.

## Key features

- Up to 2560x1440@25fps
- S+265/H.265/H.264 Compression
- Min. illumination Color: 0.0008Lux@F1.6
- 2 Warm lights, 15~20m
- 120dB true WDR, Built-in Mic
- VCA Support tripwire and perimeter
- Built-in Micro SD card slot, up to 512 GB
- Lightning, surge and voltage transient protection
- Reset Button, POE, IP66



## TRIPWIRE AND PERIMETER

Tripwire and Perimeter is a video analytics function that provides smart detection of events captured by a security camera that supports Tripwire and perimeter. It is a more effective way of monitoring and guarding an area of interest than simple motion detection. Alcon all camera series inbuilt tripwire and perimeter advance function.

## IN-BUILT MIC

Alcon all camera series is coming with in-built Mic Features. Most CCTV cameras OEM products are coming without this features .where as this feature will give both Audio and video recording will be added advantages for the end user instead of only video recording.

## DIGITAL NOISE REDUCTION

Digital Noise Reduction (DNR) is a method by which the cameras imager digitally removes noise from the image. 3D DNR is an advancement of this technology which enables noise to be filtered even more effectively from the image, even in low light conditions.

## HIGH LIGHT CONTROL

Alcon HLC function is designed to allow camera view vehicle license plate. HLC stands for Hight-light compensation, this technology is designed to optimize the brightness of images through using digital signal processing.

## SMART DEFOG

Alcon's Smart Defog image correction algorithm, improves the whole images visibility and clarity even in very foggy weather.

## PRIVACY MASKING

Privacy masking is a feature found in many IP cameras which is used to protect personal privacy by concealing parts of the image from view with a masked area. Examples of this use would be masking windows of domestic properties.

## Application



Hospital



School/ College



Office



Apartment



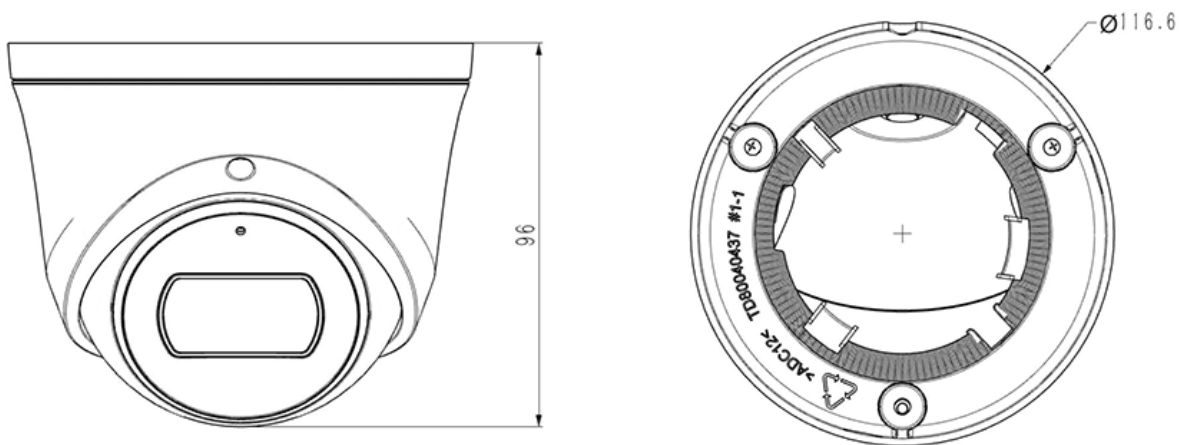
## SPECIFICATION

<b>Model</b>	AL-5002-MPC-HD4CMDK-T
Camera	
Image Sensor	1/2.7" CMOS
Signal System	PAL/NTSC
Min. Illumination	Color: 0.0008Lux@ (F1.0, AGC ON), 0Lux with LED on
Shutter Time	1s to 1/100,000s
Day & Night	V/A
Wide Dynamic Range	120dB
Angle Adjustment	pan 0~340°, tilt 0~75°, roate 0~360°
<b>Lens</b>	
Lens Type	Fixed
Focus	2.8mm
Lens Mount	M12
Aperture	F1.0, Fixed
FOV	Horizontal field of view: 93.8°
Illuminator	
White LEDs Range	15-20m
White LEDs	2
Compression Standard	
Video Compression	S+265/H.265/H.264
Video Bit Rate	32Kbps~6Mbps
Audio Compression	G.711A/G.711U/ADPCM_D
Audio Bit Rate	8K~48Kbps
<b>Image</b>	
Max. Resolution	2592×1520
Main Stream	PAL: 25fps (2592×1520, 2560×1440, 2304×1296, 1920×1080, 1280×720) NTSC: 25fps (2592×1520, 2560×1440), 30fps (2304×1296, 1920×1080, 1280×720)
Sub Stream	PAL: 25fps (704×576, 704×288, 640×360, 352×288) NTSC: 30fps (704×480, 704×240, 640×360, 352×240)
Image Setting	Saturation, brightness, contrast, sharpness, adjustable by client software or web browser
Image Enhancement	BLC/3D DNR/HLC
OSD	16×16, 32×32, 48×48, 64×64, adaptable size, Letters Such as Week, Date, Time, Total 3 Regions
Privacy Mask	Yes, 4 regions
Smart Defog	Yes
<b>Feature</b>	
Alarm Trigger	Motion Detection, Mask Alarm, IP Address Conflict
Video Analytics	Tripwire, Perimeter
Network	
ANR	Yes(Only Support Alcon ANR NVR)
Protocols	TCP/IP, HTTP, FTP, DHCP, DNS, DDNS, IPV4, NTP, UDP, Telnet, ICMP, RTP, RTSP, RTCP, UPnP
System Compatibility	ONVIF (PROFILE S/T/G), SDK, CGI (IE), P2P(Mutually exclusive with Profile G)
Remote Connection	≤7
Client	Alcon Smart Surveillance
Mobile	Alcon View



<b>Interface</b>	
Communication Interface	1 RJ45 10M/ 100M self adaptive Ethernet port
Audio I/O	Mic in
Reset Button	Yes
On-board storage	Built-in MicroSD card slot, up to 512 GB
<b>General</b>	
Web Client Language	English, Russian, Spanish, Korean, Italian, Turkish, Thai, French, Polish, Dutch, Hebraism, Arabic, Vietnamese
Operating Conditions	-40°C-60°C, 95% RH
Power Supply	DC 12V±25%, PoE (802.3af)
Power Consumption	MAX: 6W (12V) MAX: 8W (PoE)
Protection	IP66, Lightning protection, surge protection and voltage transient protection
Dimensions	Φ116.6×83.7mm (Φ4.59×3.30inch)
Weight	Metal+Plastic: 0.33Kg (0.73lb) Metal: 0.47Kg (1.04lb)
Warranty	2 Years
Certifications	BIS, CE & RoHS

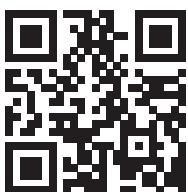
### DIMENSIONS



### ORDERING INFORMATION

AL-5002-MPC-HD4CMDK-T

4MP White Light Bullet Camera



\*Product specifications and availability are subject to change without notice.

