

# 5MP AI ENTERPRISE 30M IR DOME CAMERA



## Alcon 5MP Advanced Starlight IR Dome Camera

The Alcon AL-5002-MPC-HD5CMDK-ES Fixed Lens IP Camera with IR Illuminator provides high resolution images for round-the-clock surveillance over IP networks & color picture in dark conditions. It supports up to S+265 compression formats and delivers excellent picture quality in 2880×1620@30fps resolutions. Furthermore, the IP66-rated housing protects against dust and ensure stable operation under extreme weather conditions. IR-Cut filter and built-in IR illuminators support upto 30M IR distance. The Alcon AL-5002-MPC-HD5CMDK-ES also come with Lightning, surge and voltage transient protection which meets electromagnetic compatibility standard EN 55035:2017. It supports flexible power supply options of either Power-Over-Ethernet or adaptor power. It is an ideal solution for outdoor and indoor surveillance applications such as school, college, hospital, training center, restaurant, conference hall etc.

## Key features

- 2880×1620@30fps
- In-built Mic, Metal Body
- H.265+/H.265/H.264
- Min illumination Color: 0.001Lux@F2.0
- Smart IR, IR Range: 30m
- Support Video Analytics
- Human & Vehicle Classification
- Face capture Mode, 120dB WDR
- Support ANR, POE & IP66, IK10 SD Card 512GB
- Lightening , Surge & Voltage Protection

## LATEST COMPRESSION H.265+ TECHNOLOGY

ALCON cameras and NVRS are coming with H.265+ can save approximate 80% bitrate than H.264 technology 100:20...80% less storage another new gen technology circuit making it extremely durable and best suitable for Industrial type installations



### TRIPWIRE AND PERIMETER

Tripwire and Perimeter is a video analytics function that provides smart detection of events captured by a security camera that supports Tripwire and perimeter. It is a more effective way of monitoring and guarding an area of interest than simple motion detection. Alcon all camera series inbuilt tripwire and perimeter advance function.

### IN-BUILT MIC

Alcon all cameras series are coming with in-built Mic Features. Most CCTV cameras OEM products are coming without this features .where as this feature will give both Audio and video recording will be added advantages for the end user instead of only video recording.

### DIGITAL NOISE REDUCTION

Digital Noise Reduction (DNR) is a method by which the camera’s imager digitally removes noise from the image. 3D DNR is an advancement of this technology which enables noise to be filtered even more effectively from the image, even in low light conditions.

### STARLIGHT TECHNOLOGY

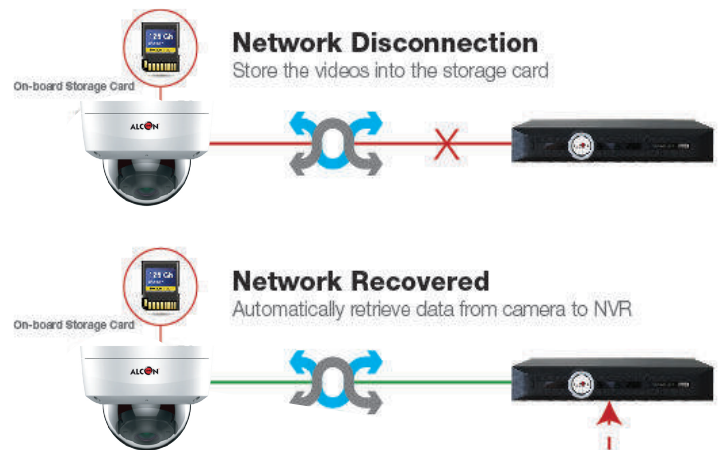
ALCON starlight 0.001Lux (DARK KNIGHT) series is most advanceproduct with low light scenario with Cristal clear and color picture on Night

### SUPER WDR (120dB)

Commonly used Digital WDR (D-WDR), which is a software-based technique to enhance image by adjusting the gamma value to enhance dark areas is responsible for image deterioration (i.e. the image being washed out). Alcon sensor-based WDR technology allows the camera to record greater scene details with true color reproduction even under the extreme back light and high contrast conditions. The ratio that the brightest light signal values divided by the darkest light signal values is up to 120dB.

### ANR FEATURES

NVRs (Network Video Recorders) with the ANR (Automatic Network Replenishment) function can automatically store video data on the IPC (Internet Protocol Camera) storage card when the network is disconnected. After recovery of the network, the NVR automatically retrieves the video data stored on the camera.



## Application



Hospital



School/ College



Office



Apartment



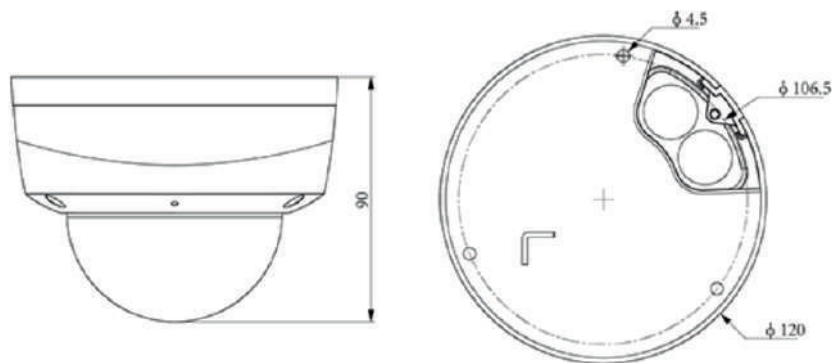
**SPECIFICATION**

<b>Camera</b>	<b>AL-5002-MPC-HD5CMDK-ES</b>
Image Sensor	1/2.7"CMOS
Min. Illumination	Color:0.001Lux@(F1.6,AGC ON),B/W:0Lux with IR
	0 1s~1/100000s
Day&Night	IR-cut filter with auto switch (ICR)
WDR	120dB
S/N	>39dB
Angle Adjustment	0~340°(P); 0~75°(T); 0~360°(R)
<b>Lens</b>	
Lens Type	Fixed focal lens
Focal Length	2.8mm
Lens Mount	M12
Aperture Range	F1.6
Field of View	109°(H); 59°(V); 125.4°(D)
DORI Distance	Detect:56m Observe:22m Recognize:11m Identify:5.6m
<b>Illuminator</b>	
IR LEDs	2
IR Distance	30m
Wavelength	850nm
<b>Compression Standard</b>	
Video Compression	S+265/H.265/H.264B/H.264M/H.264H/Motion JPEG
Video Bit Rate	32k~16Mbps
Audio Compression	G.711A/G.711U/ADPCM_D/AAC_LC
Audio Sampling Rate	8kHz/32kHz/48kHz
<b>Image</b>	
Max. Resolution	2880×1620@30fps
Main Stream	PAL:25fps(2880×1620, 2688×1520, 2560×1440, 2304×1296) 50fps(1920×1080, 1280×720) NTSC:30fps(2880×1620, 2688×1520, 2560×1440, 2304×1296) 60fps(1920×1080, 1280×720)
Sub Stream	PAL:25fps(704×576, 704×288, 352×288, 640×360) NTSC:30fps(704×480, 704×240, 352×240, 640×360)
Third Stream	PAL:25fps(1920×1080, 1280×720, 704×576, 640×360, 704×288, 352×288) NTSC:30fps(1920×1080, 1280×720, 704×480, 640×360, 704×240, 352×240)
BLC	Yes
HLC	Yes
AGC	Yes
3D DNR	Yes
White Balance	Auto/Semi-Auto/Manual/Sunshine/Nature Light/Warmlight Lamp/Daylight Lamp/Filament Lamp/Lock White Balance
ROI	8 rectangular static areas
Corridor mode	Yes
OSD	Overlay of additional characters in 5 regions, 2 lines, with a maximum of 127 characters or 42 Chinese characters per region; 16*16/32*32/48*48/64*64/96*96
Picture Overlay	1*200x200 size BMP 24 color bit image overlay
Privacy Mask	4 black static areas
Defog	Yes
<b>Feature</b>	
Alarm Trigger	Motion Detection; Mask Alarm; Voltage Alarm; Disk Full; Disk R/W Error; IP Address Conflict; MAC Address Conflict; FTP Server Exception ; Event Input, Event Output
Linkage Method	send email; trigger sound; trigger recording; trigger capture; notify surveillance center
Video Analytics	Human/Vehicle Classification; Tripwire; Perimeter; Video Abnormal; Audio Abnormal
Rules of behavior analyse in 1 scene	8
Face Mode	Face Capture
Face Detection Performance	8;4



Network	
ANR	Yes
Protocols	HTTP; HTTPS; TCP/IP; UDP; UPnP; ICMP; IGMP; SNMP; DHCP; DNS; DDNS; Easy DDNS; NTP; SMTP; SSL; 802.1X; QoS; IPv4; IPv6; PPPOE; SSH; Unicast; Multicast; RTCP; ARP; SRTP; RTSP; FTP; SFTP; NAS
System Compatibility	ONVIF Profile S/T/G/M; CGI; Milestone; RTMP
Remote Connection	≤7
Client	Alcon Smart Surveillance
Mobile Client	Alcon View
Interface	
Communication Interface	1*RJ-45,10/100 Mbps self-adaptive Ethernet port
Audio I/O	1; 1
Alarm I/O	1-ch,TTL input,3mA,3.3VDC; 1-ch,TTL output,30mA,12VDC
On-board storage	Support microSD/microSDHC/microSDXC card, up to 512 GB
RTC	Yes
General	
Web Client Language	English/Spanish/Korean/Italian/Turkish/Russian/Thai/French/Polish/Dutch/Hebrew /Arabic/Vietnamese/German/ Ukrainian/Portuguese/Albanian
Operating Temperature	-40 ~65 (No turning on the light)
Operating Humidity	Humidity 95% or less (no condensation)
Storage Temperature	-40 ~65
Storage Humidity	Humidity 95% or less (no condensation)
Power Supply	DC12V±25%,MAX 7W; POE 802.3af,MAX 8W
Protection	IP66, IK10 Lightning protection, surge protection and voltage transient protection
Boundary Dimensions	117(L)117(W)96(H)mm
Package Dimensions	140(L)140(W)120(H)mm
Gross Weight	0.7kg
Certification	FCC, CE, BIS & RoHS

**DIMENSIONS**



**ORDERING INFORMATION**

AL-5002-MPC-HD5CMDK-ES

5MP Enterprise Starlight 30M IR Dome Camera



\*Product specifications and availability are subject to change without notice.

