

**AL-5003-MPC-523XIRDK-EX**

# 5MP 23x Starlight Explosion-proof PTZ Camera



## Overview

Alcon specialized cameras, built for extreme environmental conditions. Designed for use in hazardous locations such as chemical plants and gas stations, our explosion-proof cameras are essential for safely monitoring processes. Safety is key, but cost-effectiveness is critical. Alcon's explosion-proof camera breaks this cycle, offering high-performance security and reliability without the price tag. Enjoy strong security without straining your budget.

## Inbuilt AI features, step ahead of threats

Smart Analytics offers better insights and faster responses with object detection and classification, crowd thresholds, man & vehicle type differentiation, face capture, helmet detection ...

## Features

- Up to 5MP,2880×1620@30fps
- Color:0.001lux@ (F1.6,AGC ON),B/W:0lux with IR
- S+265/H.265/H.264B/H.264M/H.264H/Motion JPEG
- Optical zoom 23X
- Built-in Micro SD card slot,up to 512 GB
- Support smart surveillance, detect up to 32 faces at the same scene
- Support human/vehicle classification
- Operating conditions -40°C~60°C(-40°C~140°C), ≤95%RH
- AC100V-AC240V
- IP68

## Specification

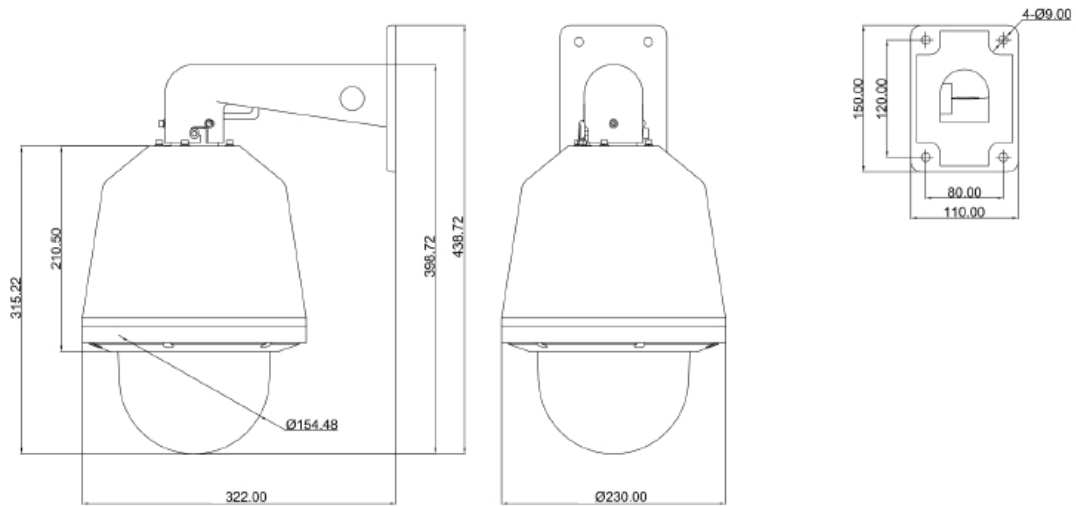
Camera		AL-5003-MPC-523XIRDK-EX
Image Sensor		1/2.7"CMOS
Min. Illumination		Color:0.001lux@ (F1.6,AGC ON),B/W:0lux with IR
Shutter Time		1s~1/100000s
Day&Night		IR-cut filter with auto switch (ICR)
Smart IR		Yes
WDR		120dB
S/N		39dB
Lens		
Focal Length		5mm~115mm
Optical Zoom		23X
Digital Zoom		16X
Zoom Speed		<5s
Aperture Range		F1.67~3.67
Aperture Type		Auto(P-Iris)
Field of View		58°~3.2°(H); 33.9°~1.9°(V); 64.8°~3.6°(D)
Focus Control		Auto/Semi-auto/Manual
Close Focus Distance		500mm~5000mm
DORI Distance		Detect:1980m Observe:785m Recognize:396m Identify:198m
Pan&Tilt		
Pan Range		360°
Pan Speed		Manual Speed:0.1°~300°/s Preset Speed:500°/s
Tilt Range		0°~90°
Tilt Speed		Manual Speed:0.1°~240°/s Preset:240°/s
3D Position		Yes
Preset		500
Cruise		16,up to 32 presets per cruise
Scan		8
Pattern		8,each with 600s memory or 1000 orders
Scheduled Task		Preset,Cruise,Scan,Pattern
North Point		Yes(Manual setting)
Power-off Memory		Yes
Compression Standard		
Video Compression		S+265/H.265/H.264B/H.264M/H.264H/Motion JPEG
Video Bit Rate		32Kbps~16Mbps
Audio Compression		G.711A/G.711U/ADPCM_D/AAC_LC
Audio Sampling Rate		8KHz/32KHz/48KHz



Image	
Max. Resolution	5MP,2880×1620@30fps
Main Stream	PAL:25fps(2880×1620,2688×1520,2560×1440,2304×1296,1920×1080,1280×720) NTSC:30fps(2880×1620,2688×1520,2560×1440,2304×1296,1920×1080,1280×720)
Sub Stream	PAL:25fps(704×576,704×288,640×360,352×288) NTSC:30fps(704×480,704×240,640×360,352×240)
Third Stream	PAL:25fps(704×576,704×288,352×288,640×480) NTSC:30fps(704×480,704×240,352×240,640×480)
BLC	Yes
HLC	Yes
AGC	Yes
3DNR	Yes
White Balance	Auto/Semi-Auto/Manual/Sunshine/Nature Light/Warmlight Lamp/Daylight Lamp/Filament Lamp/Lock White Balance
ROI	7 Dynamic Areas for Both Main and Sub Stream
OSD	5 regions(Each region can have a maximum of 127 characters ,up to 5 lines); 16*16/24*24/32*32/48*48/64*64/96*96/adaptable size; Vector/Lattice
Defog	Yes
Flip	Normal/Horizontal Mirror/Vertical Mirror/Inverted Flip
Regional Exposure	Yes
Regional Focus	Yes
Privacy Mask	24 regions(Up to 4 blocks in the same scene)
Feature	
General Alarm	Motion Detection; Mask Alarm; Alarm Input
Exceptions Alarm	Voltage Alarm; Disk Full; Disk R/W Error; Recording Exception; IP Address Conflict; MAC Address Conflict; FTP Server Exception ; Network cable disconnected
Linkage Method	Send Email; Trigger Sound; Trigger Recording; Trigger Capture; Notify Surveillance Center; Alarm Output
Video Analytics	Human/Vehicle Classification; Tripwire; Double Tripwire; Perimeter; Object Abandon; Object Missing; Heatmap; Loitering; Running; Parking; People Counting; Crowded Detection; Safety Helmet Detection; On Duty Detection; Video Abnormal; Audio Abnormal
Auto-Tracking	Yes
Face Mode	Face Capture
Face Capture Performance	Detect up to 32 faces at the same scene; Capture up to 16 faces at the same scene
Network	
ANR	Yes
Protocols	HTTP; HTTPS; TCP/IP; UDP; UPnP; SNMP v1/v2/v3; DHCP; DNS; DDNS; Easy DDNS; NTP; SMTP; TLS v1.2; SSL; 802.1x; QoS; IPv4; IPv6; PPPoE; SSH; Unicast; Multicast; ARP; RTP; SRTP; FTP; SFTP
System Compatibility	ONVIF(Profile S/T/G/M); SDK; CGI; Milestone; RTSP; RTMP
Remote Connection	≤7
User/Host	Up to 32 users. 4 user levels
Client	Alcon Smart Surveillance / Alcon View
Web	IE10+; Firefox52+; Edge89+; Safari11+; Chrome57+
Interface	
Communication Interface	1*RJ45 (10/100Base-T)
Audio I/O	1*Input Impedance 1kΩ,2.0~2.4Vp-p; 1*Output Impedance 600Ω
Alarm I/O	1*Switching; 1*Switching,Voltage≤DC24V,Current≤1A
On-board Storage	Built-in Micro SD card slot,up to 512 GB

General	
Web Client Language	English/Spanish/Italian/ Korean/Turkish/Russian/Thai/ Polish/French/Dutch/ Hebrew/Vietnamese/Arabic/German/ Ukrainian /Portuguese/Albanian
Operating Temperature	-40°C~60°C(-40°F~140°F)
Operating Humidity	≤95%RH
Storage Temperature	-40°C~60°C(-40°F~140°F)
Storage Humidity	10%~95%RH(non-condensing)
Power Supply	AC100V-AC240V; PoE:IEEE 802.3at
Power Consumption	13W(IR OFF) ; 13W(IR ON)
Protection	Surge4000V; ESD6000V; IP68
Material	Metal+plastic
Boundary Dimensions	230mm(D)x439mm(H)
Package Dimensions	360(L)410(W)545(H)mm
GrossWeight	15.15Kg
NetWeight	12.95kg
Certification	CE, RoHS, BIS

## DIMENSIONS



## ORDERING INFORMATION

AL-5003-MPC-523XIRDK-EX

5MP Starlight Explosion-proof PTZ Camera



\*Product specifications and availability are subject to change without notice.

