

AL-5003-MPC-HD225XIRATDK

2MP 25x STARLIGHT AUTO TRACKING AI POE PTZ CAMERA

- Up to 1920x1080@60fps
- Min. illumination Color: 0.001Lux@F1.5
- Optical zoom: 25x, digital zoom 16x
- Smart IR, IR Range: 250m, WDR 140dB
- S+265/H.265/H.264/M-JPEG
- Intelligent monitoring/ Face Capture mode
- Support Auto-tracking, People Counting
- Plugin Free, Safety Helmet Detection
- Support ANR, SD card slot, up to 256 GB
- IP67, Lightning, Surge & Voltage Protection



PEOPLE
COUNTING



HEAT
MAP



SAFETY
HELMET
DETECTION



AUTO
TRACKING



PARKING



LOITERING



OBJECT
LOST



FRAME
PER SECOND



CROWD



DOUBLE
TRIPWIRE



OBJECT
ABANDON



TRIPWIRE



PERIMETER



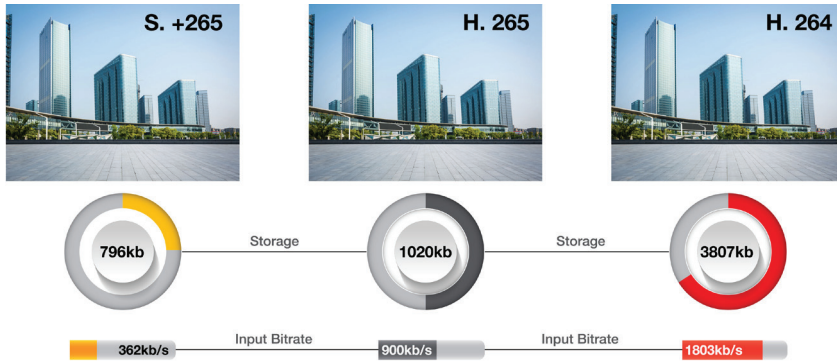
STARLIGHT
0.001Lux



IP67

OVERVIEW

The Alcon AL-5003-MPC-HD225XIRATDK PTZ Autotracking IP Camera with Pan, Tilt and Zoom function, 140dB ultra super WDR, S+265 Video Compression with Starlight, Low light Technology and Long range Array IR LED Illuminator provides high resolution images for round-the-clock surveillance over IP networks. It supports S+265, H.265, MPEG-4 and JPEG compression formats and delivers excellent picture quality in 1920x1080P resolutions. It is also equipped with 4.8mm~120mm Optical Zoom Lens which will provide you more clearer identifications of longer distance objects. Furthermore, the robust IP66-rated housing protects the camera against rain and dust and ensures stable operation under extreme weather conditions. IR-Cut filter and built-in Long Range Array IR LED illuminators enables the camera to provide color video in low light condition, and black/white clear video in dark conditions up to 250 meters. It is an ideal solution for outdoor surveillance applications such as buildings, roads, parking areas, railway station, airports, steel and power plants and other Industrial areas etc.



H.265+, the advanced video codec, saves 70%-80% bandwidth compared with H.264

LATEST COMPRESSION S+265 TECHNOLOGY

ALCON cameras and NVRS are coming with S+265 technology the compression ratio with H.264 technology 100:20....80% less storage another new gen technology circuit making it extremely durable and best suitable for Industrial type installations.

ULTRA SUPER WDR (140dB)

Commonly used Digital WDR (D-WDR), which is a software-based technique to enhance image by adjusting the gamma value to enhance dark areas is responsible for image deterioration (i.e. the image being washed out). Alcon sensor-based WDR technology allows the camera to record greater scene details with true color reproduction even under the extreme back light and high contrast conditions. The ratio that the brightest light signal values divided by the darkest light signal values is up to 140dB.



TRIPLE STREAMING

The Alcon Premium series Camera Series supports 3 simultaneous streams. Stream 1 for Local Recording and Viewing at full resolution, stream 2 for Remote viewing and recording over the internet and stream 3 for special applications, Smart Phones and hand held devices. Keeping in mind the growing trend of video analytics and Smart Phone applications, this feature enhances analytics and mobile viewing experience over conventional IP Camera having Dual Stream only.



STARLIGHT TECHNOLOGY

ALCON starlight 0.001Lux (DARK KNIGHT) series is most advance product with low light scenario with Cristal clear and color picture on Night.

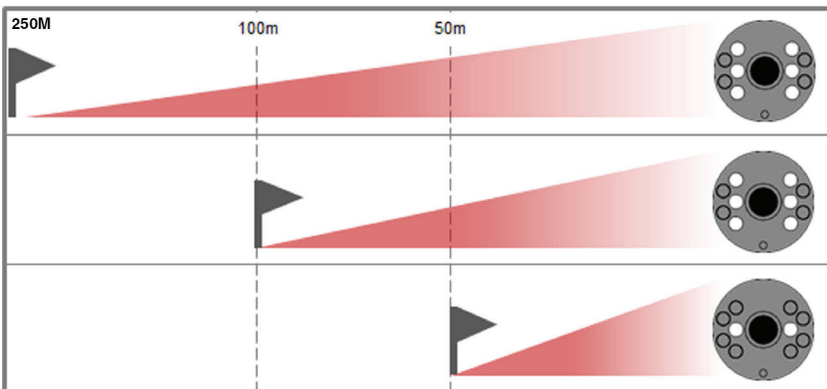


SMART ZOOMING

The Alcon AL-5003-MPC-HD225XIRATDK Smart Project IP PTZ Camera is equipped with 25X optical Zoom Lens through you can view far objects with minute details. It also come with 16X digital Zoom feature.

SMART DEFOG

Alcon's Smart Defog image correction algorithm, improves the whole images visibility and clarity even in very foggy weather.

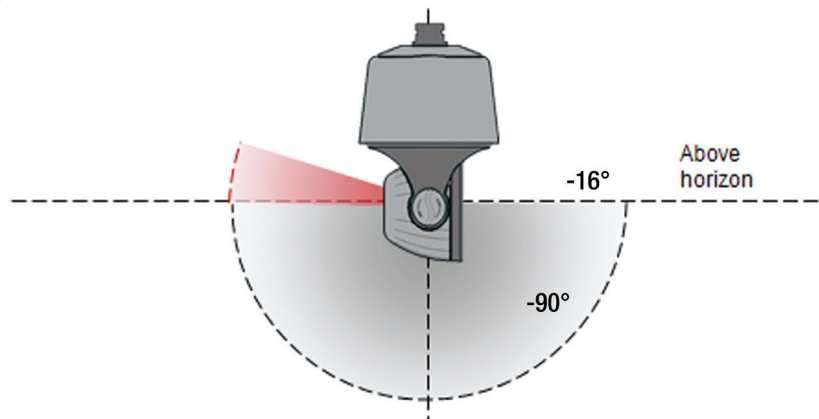


SMART ZOOM SYNCHRONIZED IR NIGHT VISION

The Alcon 5003 Smart Enterprise IP PTZ camera series comes equipped with Smart optical Zoom synchronized 5th generation Array IR LED Night vision which automatically adjusts the intensity of the IR LED with respect to zooming.

SMART SUPER TILT

The Alcon 5003 Smart Enterprise IP PTZ camera series has Smart Super Tilt function. Unlike conventional IP PTZ cameras, which had 180° tilt*, Alcon 5003 Smart Enterprise IP PTZ camera series has Pan Range 360° endless Smart Super Tilt with auto flip, which gives it the ability to view 16° above horizon. This is an added advantage for mission critical applications.



HIGH LIGHT CONTROL

Alcon HLC function is designed to allow camera capture vehicle plate license. HLC stands for High-light compensation, this technology is designed to optimize the brightness of images through using digital signal processing.



REGION OF INTEREST

A region of interest is a specified part of a Alcon CCTV camera view that is highlighted and broadcast to a separate stream from a camera.

60fps@1080P

Alcon Super Starlight Camera offers super high frame rate up to 60fps@1080P resolution which is double the number of frames offered by conventional HD network cameras. This technology enables the camera to capture stable and latency free clear images on fast moving objects.



PRIVACY MASKING

Privacy masking is a feature found in many IP cameras which is used to protect personal privacy by concealing parts of the image from view with a masked area. Examples of this use would be masking windows of domestic properties

ELECTROMAGNETIC PROTECTION

The Camera also comes with Lightning, surge and voltage transient protection which meets electromagnetic compatibility standard EN 55035:2017. This standard protects the camera from lightning & over power.

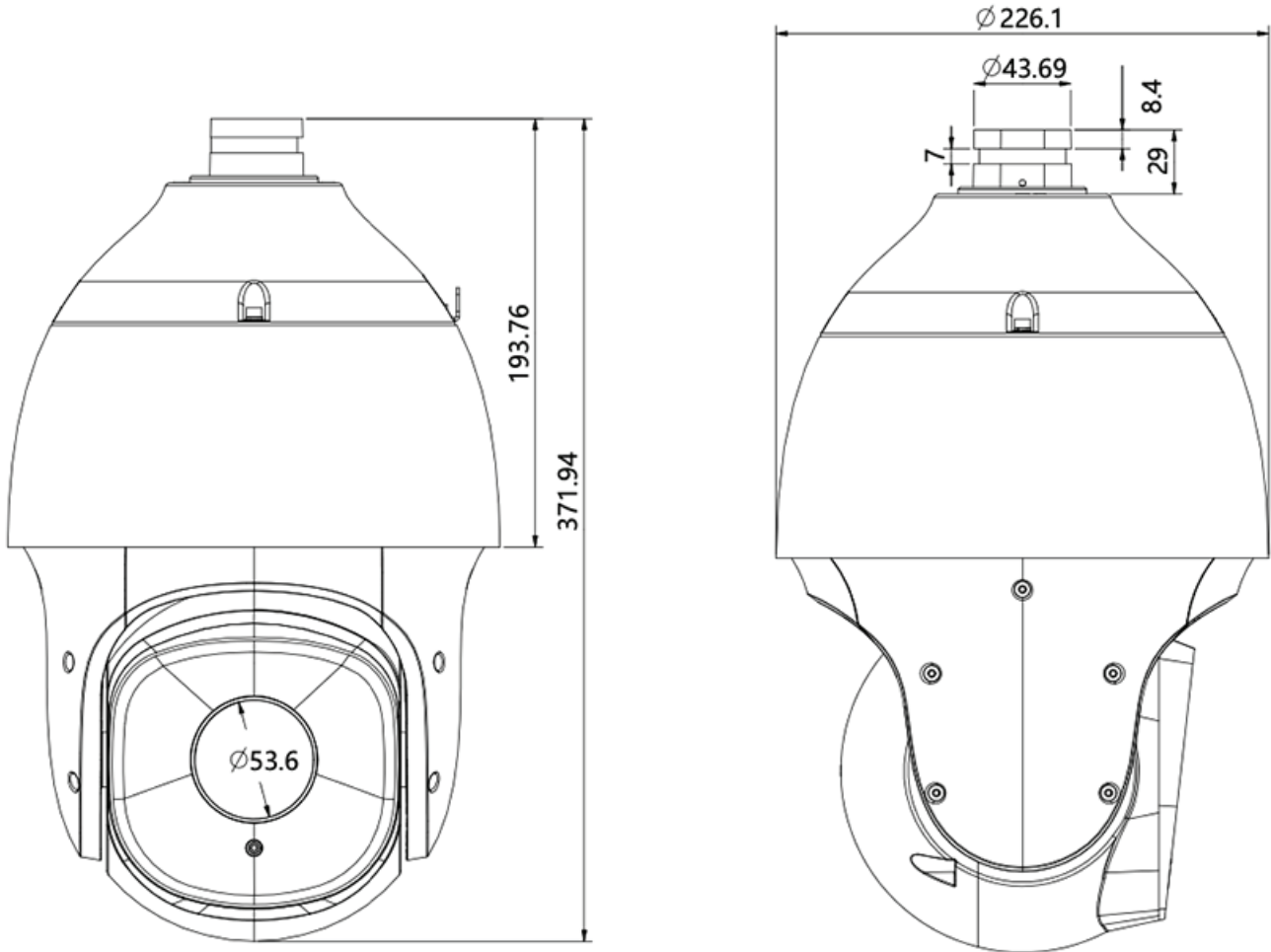


SPECIFICATION

MODEL	AL-5003-MPC-HD225XIRATDK
Image Sensor	1/2.8" CMOS
Signal System	PAL/NTSC
Min. Illumination	Color: 0.001lux@ (F1.5, ACG ON), BW: 0lux with IR
Shutter Time	1s to 1/100,000s
Day & Night	Dual IR Cut Filter with Auto Switch
Wide Dynamic Range	140dB
Optical Zoom	25x
Digital Zoom	16x
LENS	
Focal Length	4.8mm~120mm
Zoom Speed	<4s
Angle of View	Horizontal: 60.0° (w)~2.3° (t) Vertical: 34.4° (w)~1.5° (t)
Aperture Range	F1.5~F3.8
PAN&TILT	
Pan Range	360°
Pan Speed	Pan Manual Speed: 0.1°~180°/s, Pan Preset Speed: 240°/s
Tilt Range	-16°~90° (Auto flip)
Tilt Speed	Tilt Manual Speed: 0.1°~120°/s, Tilt Preset Speed: 180°/s
3D Position	Yes
Presets	500
Preset Accuracy	±0.4°
Scan	8
Cruise	16, up to 32 presets per cruise
Pattern	8, each with 600s memory or 1000 orders
Power-off Memory	Yes
RS-485 Protocols	DOME_PELCO_D,DOME_PELCO_P,DOME_PLUS
ILLUMINATOR	
IR LEDs	10
IR Range	Up to 250m
IR Irradiation Angle	Adjustable by Zoom
White LEDs	N/A
COMPRESSION STANDARD	
Video Compression	S+265/H.265/H.264/M-JPEG
Video Bit Rate	32Kbps~16Mbps
Audio Compression	G.711A/G.711U/ADPCM_D/AAC_LC
Audio Bit Rate	8K~48Kbps
IMAGE	
Max. Resolution	2.0MP (1920×1080)
Main Stream	PAL: 50fps (1920×1080, 1280×720, 704×576, 640×480)
	NTSC: 60fps (1920×1080, 1280×720, 704×480, 640×480)
Sub Stream	PAL: 25fps (704×576, 704×288, 640×360, 352×288)
	NTSC: 30fps (704×480, 704×240, 640×360, 352×240)
Third Stream	PAL: 25fps(1920x1080, 704x576, 704x288, 352x288)
	NTSC: 30fps(1920x1080, 704x480, 704x240, 352x240)
Image Setting	Saturation, brightness, contrast, sharpness, adjustable by client software or web browser
Image Enhancement	BLC/3D DNR/HLC
ROI	7 Dynamic Areas for Both Main and Sub Stream, support auto-tracking ROI
OSD	16×16, 24×24,32×32, 48×48, 64×64, 96×96, adaptable size, Letters Such as Week, Date, Time, Total 5 Regions
Picture Overlay	Yes
Privacy Mask	Yes
Smart Defog	Yes

FEATURE	
Alarm Trigger	Harsh Voice Alarm, Motion Detection, Mask Alarm, Port Alarm, Network Disable Alarm, IP Conflict, MAC Conflict Detection
Video Analytics	Tripwire, Double Tripwire, Perimeter, Object Abandon, Object Lost, Loitering, Running, Parking, Heatmap, Video Abnormal, Crowd, Audio Abnormal, Demographics(People Counting), On Duty Detection, Safety Helmet Detection, Auto tracking, Face Capture
Early Warning(EW)	N/A
Auto-Tracking	Yes
FACE DETECTION AND ANALYTICS	
Operating Mode	Face capture, intelligent monitoring optional, default intelligent monitoring
Face Detection Performance	Detects up to 16 faces at the same scene
Face Exposure Brightness	Default 35, 1~100 brightness optional
Min. Face Pixel	Default 80, 19~1920 optional
Precautionary Alert	Three level
NETWORK	
Protocols	TCP/IP, ICMP, HTTP, HTTPS, FTP, DHCP, DNS, DDNS, RTSP, PPPoE, NTP, UPnP, SMTP, IGMP, QoS, IPV4, IPV6, MULTICAST, RTMP
System Compatibility	ONVIF (PROFILE S/T/G), SDK, CGI, P2P
ANR	Auto store video in SD card when NVR disconnected, and upload video to NVR when resumed connection (Only Support Alcon ANR NVR)
Remote Connection	≤7
Client	Alcon Smart Surveillance, EasyLive
Web Version	web6
INTERFACE	
Communication Interface	1 RJ45 10M/100M self adaptive Ethernet port
Audio	1/1
Alarm	8/2
Speaker	N/A
Reset Button	Yes
On-board storage	Built-in Micro SD card slot, up to 256 GB
RS-485	Yes
BNC	Yes
Wiper	N/A
GENERAL	
Firmware Version	-
Web Client Language	13 languages English, Spanish, Korean, Italian, Turkish, Russian, Thai, French, Polish, Dutch, Hebraism, Arabic, Vietnamese
Operating Conditions	-40°C~70°C (IR OFF), -40°C~40°C (IR ON), 0-95%RH
Power Supply	AC24V±25% / DC 24V±10% / POE++
Power Consumption	22W (IR OFF), 44.2W (IR ON)
Protection	IP67, Lightning protection, surge protection and voltage transient protection meets EN 55035:2017
Heater	N/A
Dimensions	Φ222x372mm(Φ8.74×14.65inch)
Weight	5.3kg(11.68lb)
Certification	CE & FCC

DIMENSIONS



ORDERING INFORMATION

AL-5003-MPC-HD225XIRATDK

2MP 25x Starlight Auto Tracking AI POE PTZ Camera



*Product specifications and availability are subject to change without notice.