



# 6MP Ultra Super Starlight AI Panoramic PTZ Camera

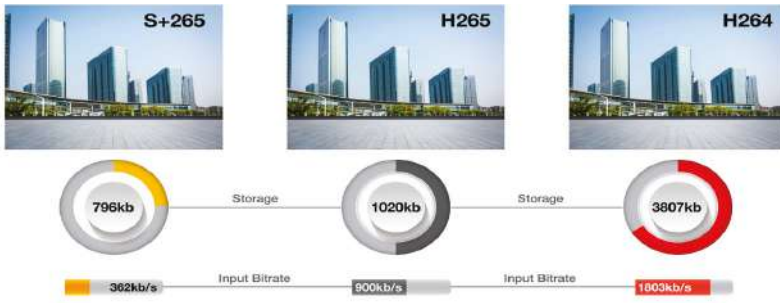


## Overview

The Alcon Panoramic Experience delivers completely stitched, seamless and blended panoramic views without the disruption and distraction of disjointed sensor boundaries, a viewing experience that competitive offerings simply cannot match. Featuring 6MP resolution with entire panorama for the highest-quality, most uniform image detail possible, Alcon elevates both live and forensic scene analysis to a completely new level for today's security professionals. It supports S+265/H.265/H.264/M-JPEG compression formats and delivers excellent picture quality in 6MP resolutions. Furthermore, the IP66 rated housing. IR-Cut filter and built-in IR illuminators enables the camera to provide color video when there is sufficient light. The Alcon AL-5003-MPC-HD425XIRATUDKF camera also come with 120dB WDR which allows it to maintain clear images 24 hours a day. It supports flexible power supply options of PoE (802.3BT). It is an ideal solution for Outdoor surveillance applications such as buildings, roads, parking areas, railway station, airports, steel and power plants and other Industrial areas etc.

## Features

- Panorama View: 180°
- Up to Panorama: 3840×1568@25fps
- PTZ: 2560×1440@25fps
- Panorama: 0.0001lux, PTZ: 0.001Lux
- Built-in Micro SD card slot, up to 512 GB
- Support Panorama: Human/Vehicle
- Support POE IEEE802.3BT
- Support 120dB WDR, IP66
- Early Warning(EW), Auto-Tracking
- Facial Detection, Heatmap
- Safety Helmet Detection



S+265 can save approximate 50% bitrate than H.265 technology, saves 70%-80% bandwidth compared with H.264

## Latest Compression S+265 Technology

ALCON cameras and NVRs are coming with S+265 technology the compression ratio with H.264 technology 100:20...80% less storage another new gen technology circuit making it extremely durable and best suitable for Industrial type installations.

## WIDE DYNAMIC RANGE(120dB)

Commonly used Digital WDR (D-WDR), which is a software-based technique to enhance image by adjusting the gamma value to enhance dark areas is responsible for image deterioration (i.e. the image being washed out). Alcon sensor-based WDR technology allows the camera to record greater scene details with true color reproduction even under the extreme back light and high contrast conditions. The ratio that the brightest light signal values divided by the darkest light signal values is up to 120dB

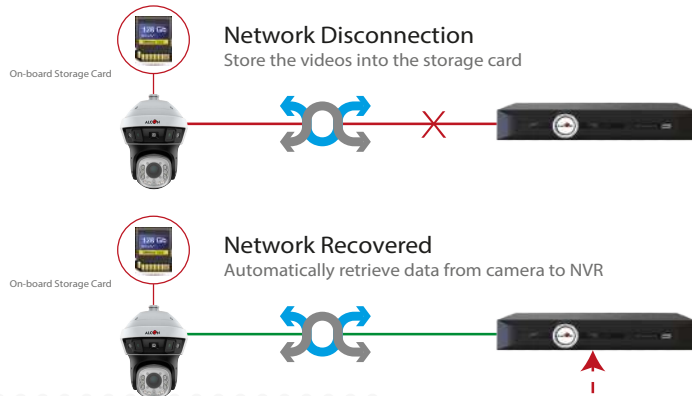


## Panaromic View

Fisheye cameras use ultra-wide lenses to provide a complete view of an entire area. They are sometimes referred to as 360 cameras because they provide a 360° by 180° view of an area. Fisheye security cameras can provide complete coverage of an open area, often replacing four to six standard security cameras.

## Region of Interest

A region of interest is a specified part of a Alcon CCTV camera view that is highlighted and broadcast to a separate stream from a camera.



## ANR Features

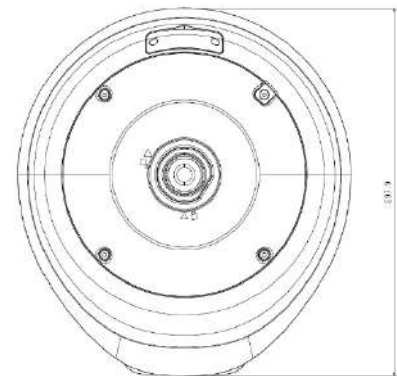
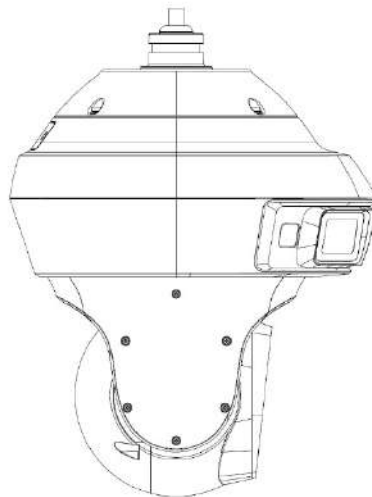
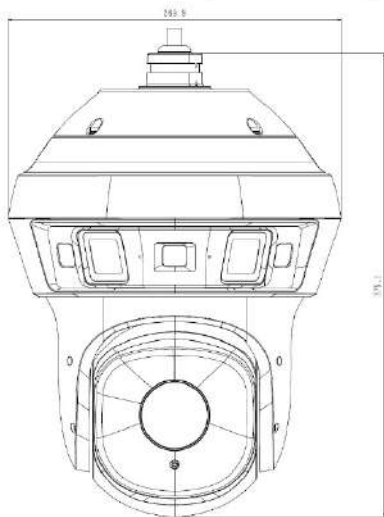
NVRs (Network Video Recorders) with the ANR (Automatic Network Replenishment) function can automatically store video data on the IPC (Internet Protocol Camera) storage card when the network is disconnected. After recovery of the network, the NVR automatically retrieves the video data stored on the camera.

<b>Camera</b>	<b>AL-5003-MPC-HD425XIRATUDKF</b>
Image Sensor	Panorama:1/1.8"CMOS PTZ:1/2.7"CMOS
Min. Illumination	Panorama:0.0001lux PTZ:0.001Lux
Shutter Time	Panorama:1s~1/100000s PTZ:1s~1/100000s
Day&Night	Panorama:N/A PTZ:IR-cut filter w ith auto sw itch (ICR)
WDR	Panorama:WDR PTZ:120dB
<b>Lens</b>	
Focal Length	Panorama:3.3mm PTZ:4.8mm~120mm
Optical Zoom	Panorama:N/A PTZ:25X
Digital Zoom	Panorama:N/A PTZ:16X
Zoom Speed	Panorama:N/A PTZ:<5s
Aperture Range	Panorama:F1.0 PTZ:F1.67~F3.67
Field of View	Panorama:190±10°(H) PTZ:58°~2.8°(H); Panorama:75±10°(V) PTZ:33.9°~1.7°(V); Panorama:N/A PTZ:64.8°~3.3°(D)
Focus Control	Panorama: N/A PTZ:Auto/Semi-auto/Manual
Iris Control	Panorama:Fixed PTZ:Auto
Close Focus Distance	Panorama:2000mm PTZ:500mm~5000mm
DORI Distance	Panorama: Detect:45.5m, PTZ: Detect:Detect:1980m
<b>Pan&amp;Tilt</b>	
Pan Range	PTZ:360°
Tilt Range	-16°~90° (Default -3°~90°)
Tilt Speed	Manual Speed:0.1°~120°/s Preset: 180°/s
3D Position	Yes
Preset	500
Cruise	16, up to 32 presets per cruise
Scan	8
Pattern	8, each w ith 600s memory or 1000 orders
Scheduled Task	Preset、Cruise、Scan、Pattern
North Point	Yes(Manual setting)
Power-off Memory	Yes
<b>Illuminator</b>	
IR LEDs	Panorama:N/A PTZ:10
IR Distance	Panorama:N/A PTZ:150m
Wavelength	Panorama:N/A PTZ:850nm
IR Irradiation Angle	Panorama:N/A PTZ:Adjustable by Zoom
White LEDs	Panorama:3 PTZ:4
Whitelight Distance	Panorama:30m PTZ:30m
<b>Compression Standard</b>	
Video Compression	Panorama:S+265/H.265/H.264/M-JPEG PTZ:S+265/H.265/H.264/M-JPEG
Video Bit Rate	Panorama:32Kbps~16Mbps PTZ:32Kbps~16Mbps
Audio Compression	G.711A/G.711U/ADPCM_D/AAC_LC
Audio Sampling Rate	8KHz/32KHz/48KHz

<b>Audio Sampling Rate</b>	8KHz/32KHz/48KHz
<b>Image</b>	
<b>Max. Resolution</b>	Panorama:3840×1568@25fps PTZ:2560×1440@25fps
<b>Main Stream</b>	Panorama: PAL:25fps(3840×1568, 3632×1480) NTSC:30fps(3840×1568, 3632×1480) PTZ: PAL:25fps(2560×1440, 2304×1296, 1920×1080, 1280×720) NTSC:30fps(2560×1440, 2304×1296, 1920×1080, 1280×720)
<b>Sub Stream</b>	Panorama: PAL:25fps(1200×488, 960×392) NTSC:30fps(1200×488, 960×392) PTZ: PAL:25fps(704×576, 704×288, 352×288, 640×360) NTSC:30fps(704×480, 704×240, 352×240, 640×360)
<b>Third Stream</b>	Panorama:N/A PTZ: PAL:25fps(704×576, 704×288, 352×288, 640×480) NTSC:30fps(704×480, 704×240, 352×240, 640×480)
<b>BLC</b>	Yes
<b>HLC</b>	Yes
<b>AGC</b>	Yes
<b>White Balance</b>	Yes
<b>ROI</b>	Panorama:7 fixed rectangles and 1 dynamic tracking focus area for each main and secondary stream PTZ:7 rectangular 3D fixed focus areas, supporting 1 rectangular dynamic tracking ROI
<b>OSD</b>	Panorama: 5 regions(Each region can have a maximum of 127 characters ,up to 5 lines) PTZ: 5 regions(Each region can have a maximum of 127 characters ,up to 5 lines); Panorama: 16*16/32*32/48*48/64*64/96*96/adaptable size PTZ: 16*16/32*32/48*48/64*64/96*96/adaptable size; Vector/Lattice
<b>Defog</b>	Yes
<b>Flip</b>	Panorama:N/A PTZ:Normal/Horizontal Mirror/Vertical Mirror/Inverted Flip
<b>Regional Exposure</b>	Panorama:N/A PTZ:Yes
<b>Regional Focus</b>	Panorama:N/A PTZ:Yes
<b>Demist</b>	Yes
<b>Privacy Mask</b>	Panorama:8 regions PTZ:24 regions(Up to 4 blocks in the same scene)
<b>Feature</b>	
<b>Alarm Trigger</b>	Panorama:Motion Detection PTZ:Motion Detection; Panorama:Mask Alarm PTZ:Mask Alarm; Disk Full; Disk R/W Error; Recording Exception; IP Address Conflict; MAC Address Conflict; FTP Server Exception ; Event Input,Event Output; Network cable disconnected
<b>Linkage Method</b>	send email; trigger sound; trigger w armlight; trigger recording; trigger capture; notify surveillance center
<b>Video Analytics</b>	Panorama:Human/Vehicle Classification PTZ:Human/Vehicle Classification; Panorama:Tripwire PTZ:Tripwire; Panorama:Double Tripwire PTZ:Double Tripwire; Panorama:Perimeter PTZ:Perimeter; Panorama:N/A PTZ:Object Abandon; Panorama:N/A PTZ:Object Lost; Panorama:Heatmap PTZ:N/A; Panorama:N/A PTZ:Loitering; Panorama:N/A PTZ:Running; Panorama:N/A PTZ:Parking; Panorama:N/A PTZ:People Counting; Panorama:N/A PTZ:Crowded; Panorama:N/A PTZ:Safety Helmet Detection; Panorama:N/A PTZ:On Duty Detection; Panorama:Video Abnormal PTZ:Video Abnormal; Panorama:Audio Abnormal PTZ:N/A
<b>Early Warning(EW)</b>	Early Warning(EW)
<b>Auto-Tracking</b>	Auto-Tracking
<b>Face Mode</b>	Panorama:N/A PTZ:Capture facial images
<b>Network</b>	
<b>ANR</b>	ANR
<b>Protocols</b>	HTTP, HTTPS; TCP/IP; UDP; UPnP; ICMP; IGMP; SNMP v1/v2/v3; DHCP; DNS; DDNS; Easy DDNS; NTP; SMTP; TLS; SSL; 802.1x; QoS; IPv4; IPv6; PPPoE; SSH; Unicast; Multicast; ARP; RTP; SRTP; RTSP; FTP; SFTP; NAS; PING
<b>System Compatibility</b>	ONVIF Profile S/T/G/M; CGI; Milestone; RTMP
<b>Remote Connection</b>	≤7
<b>User/Host</b>	Up to 32 users. 4 user levels
<b>Client</b>	Alcon Smart Surveillance
<b>Mobile Client</b>	Alcon View

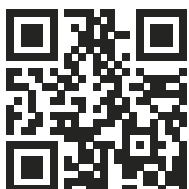
<b>Interface</b>	
<b>Communication Interface</b>	1*RJ45 10M/100M/1000M self adaptive Ethernet port
<b>Audio I/O</b>	1*Input Impedance 1kΩ,2.0~2.4Vp-p; 1*Output Impedance 600Ω
<b>Alarm I/O</b>	2*Switching; 1,Switching
<b>Reset Button</b>	Yes
<b>On-board storage</b>	Built-in Micro SD card slot, up to 512 GB
<b>General</b>	
<b>Web Client Language</b>	English/Spanish/Italian/Korean/Turkish/Russian/Thai/Polish/French/Dutch/Hebrew/Vietnamese/Arabic/German/Ukrainian/Portuguese/Albanian
<b>Operating Temperature</b>	-30°C~65°C(IR OFF) -30 ~40 (IR ON)
<b>Operating Humidity</b>	0-95%
<b>Storage Temperature</b>	-30°C~65°C
<b>Storage Humidity</b>	0-95%(non-condensing)
<b>Power Supply</b>	AC24V±25%\DC24V±10%; POE IEEE802.3BT
<b>Protection</b>	IP66, Lightning protection, surge protection and voltage transient protection
<b>Material</b>	Metal and Plastic
<b>Boundary Dimensions</b>	298mm(D)*375mm(H)
<b>Package Dimensions</b>	385(L)*350(W)*540(H)mm
<b>GrossWeight</b>	9.41kg
<b>NetWeight</b>	5.33kg
<b>Certification</b>	CE & RoHS

## DIMENSIONS



AL-5003-MPC-HD425XIRATUDKF

6MP Ultra Super Starlight AI Panoramic PTZ Camera



\*Product specifications and availability are subject to change without notice.