

## 4MP 63X Super Starlight IR Laser New AI PTZ Camera

- 1/1.8" CMOS Sensor
- Up to 4MP 2560x1440@30fps
- Optical zoom: 63x, digital zoom 16x
- Min. illumination Color: 0.001Lux@F1.6
- Smart IR, IR Range: 300m, Laser Distance: 500m
- Built-in Speaker • Built-in Wiper
- Built-in Electronic Compass
- S+265/H.265/H.264/M-JPEG
- Monitoring/Intelligent Monitoring/ Face Capture mode
- Auto-tracking Early Warning (AEW)
- Support Laser Point
- Alarm 8 in and 2 out, Audio 1 in and 1 out
- Plugin Free • IP66
- DC36V±25%POE++(IEEE802. bt)



## OVERVIEW

The Alcon AL-5003-MPC-HD463XIRATUDK-NXG PTZ camera with auto tracking pan, tilt and zoom function, S+265 video compression with super Starlight (0.001Lux) Low light Technology and Long range Array IR LED Illuminator provides high-resolution images for round-the-clock surveillance over IP networks. It supports S+265, H.265, MPEG-4, and JPEG compression formats and delivers excellent picture quality in 4MP resolutions. It is also equipped with 5.7-359mm with 63x Optical Zoom Lens which enables surveillance of far objects with detail. Furthermore, the IP66, (metal body)-rated housing protects against rain and dust and ensures stable operation under extreme weather conditions. IR-Cut filter and built-in Long Range Array IR LED illuminators with smart IR enable the camera to provide color video when there is a minimum light source, and black/white clear video in dark conditions up to 500 meters. It is an ideal solution for outdoor surveillance applications such as buildings, roads, parking areas, railway stations, airports, steel and power

### LATEST COMPRESSION S+265 TECHNOLOGY

ALCON cameras and NVRS are coming with S+265 technology the compression ratio with H.264 technology 100:10....90% less storage another new gen technology circuit making it extremely durable and best suitable for Industrial type installations.

### ULTRA SUPER WDR (120dB)

Commonly used Digital WDR (D-WDR), which is a software-based technique to enhance image by adjusting the gamma value to enhance dark areas is responsible for image deterioration (i.e. the image being washed out). Alcon sensor-based WDR technology allows the camera to record greater scene details with true color reproduction even under the extreme back light and high contrast conditions. The ratio that the brightest light signal values divided by the darkest light signal values is up to 120dB.

### TRIPLE STREAMING

The Alcon Premium series Camera Series supports 3 simultaneous streams. Stream 1 for Local Recording and Viewing at full resolution, stream 2 for Remote viewing and recording over the internet and stream 3 for special applications, Smart Phones and hand held devices. Keeping in mind the growing trend of video analytics and Smart Phone applications, this feature enhances analytics and mobile viewing experience over conventional IP Camera having Dual Stream only.

### STARLIGHT TECHNOLOGY

ALCON starlight 0.001Lux (DARK KNIGHT) series is most advance product with low light scenario with Cristal clear and color picture on Night

### SMART ZOOMING

The Alcon AL-5003-MPC-HD463XIRATUDK-NXG Smart Project IP PTZ Camera is equipped with 63X optical Zoom Lens through you can view far objects with minute details. It also come with 16X digital Zoom feature.

### SMART DEFOG

Alcon's Smart Defog image correction algorithm, improves the whole images visibility and clarity even in very foggy weather.

### ANR

Alcon of their IP cameras fitted with on-board MicroSD storage now come with a feature called Automatic Network Recovery – or ANR – as standard. When activated, this tells the camera to start recording footage to the memory card as soon as it loses its connection to the recorder.

### HIGH LIGHT CONTROL

Alcon HLC function is designed to allow camera capture vehicle plate license. HLC stands for Hight-light compensation, this technology is designed to optimize the brightness of images through using digital signal processing.

### PRIVACY MASKING

Privacy masking is a feature found in many IP cameras which is used to protect personal privacy by concealing parts of the image from view with a masked area. Examples of this use would be masking windows of domestic properties

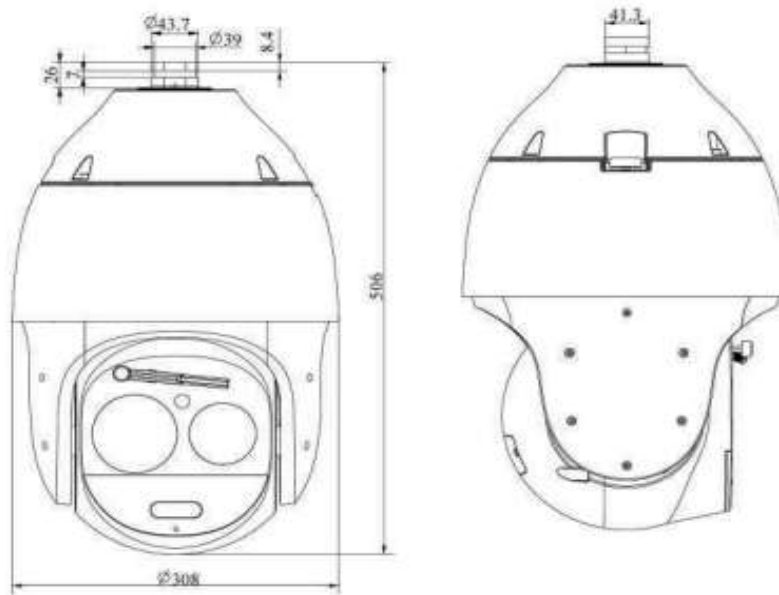
**SPECIFICATION**

Camera		AL-5003-MPC-HD463XIRATUDK-NXG
Image Sensor		1/1.8"CMOS
Min. Illumination		Color:0.001lux@ (F1.6,AGC ON),0lux with IR
Shutter Time		1s~1/100000s
Day&Night		IR-cut filter with auto sw itch (ICR)
Smart IR		Yes
WDR		120dB,Only supported in monitoring mode,mutually exclusive w ith anti shake
Lens		
Focal Length		5.7mm~359mm
Optical Zoom		63X
Digital Zoom		16X
Zoom Speed		<8s
Aperture Range		F1.63~F4.94
Aperture Type		Auto(P-Iris)
Field of View		60°~1.5°(H); 35.5°~0.87°(V); 67.5°~1.77°(D)
Focus Control		Auto/Semi-auto/Manual
Close Focus Distance		1000mm~3000mm
DORI Distance		Detect:3800m Observe:1508m Recognize:760m Identify:380m
Pan&Tilt		
Pan Range		360°
Pan Speed		Manual Speed:0.1°~200°/s Preset Speed:240°/s
Tilt Range		-21°~90° (Default -13°~90°)
Tilt Speed		Manual Speed:0.1°~120°/s Preset:180°/s
3D Position		Yes
Preset		500
Cruise		16,up to 32 presets per cruise
Scan		8
Pattern		8,each w ith 600s memory or 1000 orders
Scheduled Task		Preset,Cruise,Scan,Pattern
North Point		Yes
Power-off Memory		Yes
Preset Freezing		Yes
Illuminator		
IR LEDs		11
IR Distance		Up to 300m
Wavelength		850nm
IR Irradiation Angle		Yes
White LEDs		2
Whitelight Distance		30m
Red and Blue Alarm Flash		Yes
Laser		6
Laser Distance		Up to 500m
Compression Standard		
Video Compression		S+265/H.265/H.264B/H.264M/H.264H
Video Bit Rate		32Kbps~16Mbps
Audio Compression		G.711A/G.711U/ADPCM_D/AAC_LC
Audio Sampling Rate		8KHz/32KHz/48KHz

Image	
Max. Resolution	4MP,2560×1440@30fps
Main Stream	PAL:25fps(2560×1440,2304×1296,1920×1080,1280×720) NTSC:30fps(2560×1440,2304×1296,1920×1080,1280×720)
Sub Stream	PAL:25fps(704×576,704×288,640×360,352×288) NTSC:30fps(704×480,704×240,640×360,352×240)
Third Stream	PAL:25fps(704×576,704×288,352×288,640×480) NTSC:30fps(704×480,704×240,352×240,640×480)
BLC	Yes
HLC	Yes
AGC	Yes
3DNR	Yes
White Balance	Auto/Semi-Auto/Manual/Sunshine/Nature Light/Warmight Lamp/Daylight Lamp/Filament Lamp/Lock White Balance
ROI	7 rectangular 3D fixed focus areas, supporting 1 rectangular dynamic tracking ROI
EIS	Yes
OSD	5 regions(Each region can have a maximum of 127 characters, up to 5 lines); 16*16/24*24/32*32/48*48/64*64/96*96/adaptable size; Vector/Lattice
Defog	Yes
Flip	Normal/Inverted Flip
Regional Exposure	Yes
Regional Focus	Yes
Demist	Yes
Privacy Mask	24 regions
Feature	
General Alarm	Motion Detection; Mask Alarm; Alarm Input
Exceptions Alarm	Disk Full; Disk R/W Error; Recording Exception; IP Address Conflict; MAC Address Conflict; FTP Server Exception ; Network cable disconnected
Linkage Method	Send Email; Trigger Sound; trigger w armight; Trigger Recording; Trigger Capture; Notify Surveillance Center; Alarm Output
Video Analytics	Human/Vehicle Classification; Tripwire; Double Tripwire; Perimeter; Object Abandon; Object Missing; Heatmap; Loitering; Running; Parking; People Counting; Crowded Detection; Safety Helmet Detection; On Duty Detection; Video Abnormal; Audio Abnormal
Auto Early Warning(AEW)	Yes
Auto-Tracking	Yes
Face Mode	Face Capture
Face Capture Performance	Detect up to 32 faces at the same scene; Capture up to 16 faces at the same scene
Network	
ANR	Yes
Protocols	HTTP; HTTPS; TCP/IP; UDP; UPnP; ICMP; IGMP; SNMP v1; DHCP; DNS; DDNS; Easy DDNS; NTP; SMTP; TLS v1.2; SSL; 802.1x; QoS; IPv4; IPv6; PPPoE; Unicast; Multicast; ARP; RTP; SRTP; FTP; SFTP
System Compatibility	P2P; ONVIF(Profile S/T/G/M); SDK; CGI; RTSP; RTMP
Remote Connection	≤4
User/Host	Up to 32 users. 4 user levels
Client	Alcon Smart Surveillance
Mobile Client	Alcon View
Web	IE10+; Firefox52+; Edge89+; Safari11+; Chrome57+
Interface	
Communication Interface	1*RJ45 (10/100Base-T)
Audio I/O	1*Input Impedance 1kΩ,2.0~2.4Vp-p; 1*Output Impedance 600Ω
Alarm I/O	8*Switching; 2*Switching, Voltages≤DC24V, Currents≤1A
Built-in Speaker	1,4Ω4W
Reset Button	Yes
On-board Storage	Built-in Micro SD card slot, up to 512 GB
Additional Interfaces	RS485; BNC
Wiper	Yes
Electronic Compass	Yes

General	
Web Client Language	English/Spanish/Italian/ Korean/Turkish/Russian/Thai/ Polish/French/Dutch/ Hebraism/Vietnamese/Arabic/German/Ukrainian
Operating Temperature	-40°C~70°C(-40°F~158°F)
Operating Humidity	≤95%RH
Storage Temperature	-40°C~70°C(-40°F~158°F)
Storage Humidity	10%~95%RH(non-condensing)
Power Supply	DC36V±25%; PoE:IEEE 802.3bt
Power Consumption	37W(IR OFF) ; 62W(IR ON)
Protection	Surge4000V; ESD6000V; IP66, IK10
Material	Metal
Boundary Dimensions	308mm(D)x505mm(H)
Package Dimensions	460(L)460(W)720(H)mm
GrossWeight	17.95kg
NetWeight	12.75kg
Certification	FCC, CE, BIS & RoHS

## DIMENSIONS



## ORDERING INFORMATION

AL-5003-MPC-HD463XIRATUDK-NXG

4MP 63X Super Starlight Auto Tracking Early Warning PoE PTZ Camera



\*Product specifications and availability are subject to change without notice.

