

5MP 23X Starlight 150M IR PoE PTZ Camera

- Upto 2880x1620@30fps
- S+265/H.265/H.264/M-JPEG
- 0.001lux@ (F1.6, ACG ON)
- Optical zoom: 23X, digital zoom 16X
- Video Analytics, Support ANR & POE+
- Smart IR, IR Range: 150m
- ONVIF (PROFILES), SDK, P2P
- IP66 & Built-in SD card slot up to 512GB
- Plugin free, 140dB WDR
- Support Human/Vehicle Classification



IR 150

SD
CARD

ANR

PLUGIN
FREEOBJECT
LOSTMOTION
DETECTION

PoE



TRIPWIRE



PERIMETER

STARLIGHT
0.00 luxIP
66SMART
DEFOG

IVA

3D
DNR

OVERVIEW

The Alcon AL-5003-MPC-HD523XIRDK PTZ IP Camera with Pan, Tilt and Zoom function, 120dB WDR, S+265 Compression with Starlight Low light Technology and Long range Array IR LED Illuminator provides high resolution images for round-the-clock surveillance over IP networks. It supports S+265/H.265/H.264/M-JPEG compression formats and delivers excellent picture quality in 5MP resolutions. It is also equipped with 5mm~115mm 23x Optical Zoom Lens which enables surveillance of far objects with detail. Furthermore, the IP66, protects against rain and dust and ensures stable operation under extreme weather conditions. IR-Cut filter and built-in Long Range Array IR LED illuminators enables the camera to provide color video in low light condition, and black/white clear video in dark conditions up to 150meters. It is an ideal solution for outdoor surveillance applications such as buildings, roads, parking areas, railway station, airports, steel and power plants and other Industrial areas ect.

LATEST COMPRESSION S+265 TECHNOLOGY

ALCON cameras and NVRS are coming with S+265 technology the compression ratio with H.264 technology 100:20...80% less storage another new gen technology circuit making it extremely durable and best suitable for Industrial type installations.

ULTRA SUPER WDR (120dB)

Commonly used Digital WDR (D-WDR), which is a software-based technique to enhance image by adjusting the gamma value to enhance dark areas is responsible for image deterioration (i.e. the image being washed out). Alcon sensor-based WDR technology allows the camera to record greater scene details with true color reproduction even under the extreme back light and high contrast conditions. The ratio that the brightest light signal values divided by the darkest light signal values is up to 140dB.

TRIPLE STREAMING

The Alcon Premium series Camera Series supports 3 simultaneous streams. Stream 1 for Local Recording and Viewing at full resolution, stream 2 for Remote viewing and recording over the internet and stream 3 for special applications, Smart Phones and hand held devices. Keeping in mind the growing trend of video analytics and Smart Phone applications, this feature enhances analytics and mobile viewing experience over conventional IP Camera having Dual Stream only.

STARLIGHT TECHNOLOGY

ALCON starlight 0.001Lux (DARK KNIGHT) series is most advance product with low light scenario with Cristal clear and color picture on Night

SMART ZOOMING

The Alcon AL-5003-MPC-HD523XIRDK Smart Project IP PTZ Camera is equipped with 23X optical Zoom Lens through you can view far objects with minute details. It also come with 16X digital Zoom feature.

SMART DEFOG

Alcon's Smart Defog image correction algorithm, improves the whole images visibility and clarity even in very foggy weather.

ANR

Alcon of their IP cameras fitted with on-board MicroSD storage now come with a feature called Automatic Network Recovery – or ANR – as standard. When activated, this tells the camera to start recording footage to the memory card as soon as it loses its connection to the recorder.

HIGH LIGHT CONTROL

Alcon HLC function is designed to allow camera capture vehicle plate license. HLC stands for Hight-light compensation, this technology is designed to optimize the brightness of images through using digital signal processing.

PRIVACY MASKING

Privacy masking is a feature found in many IP cameras which is used to protect personal privacy by concealing parts of the image from view with a masked area. Examples of this use would be masking windows of domestic properties

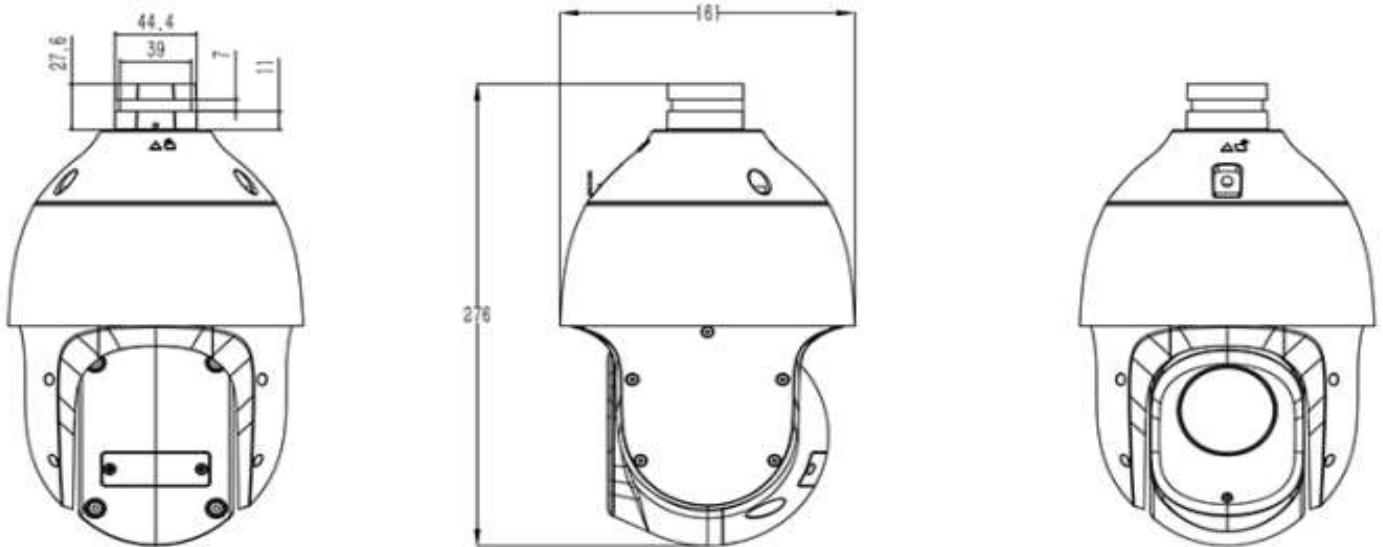
SPECIFICATION

Camera		AL-5003-MPC-HD523XIRDK
Image Sensor	1/2.7"CMOS	
Min. Illumination	Color:0.001lux@ (F1.6,AGC ON),B/W:0lux w ith IR	
Shutter Time	1s~1/100000s	
Day&Night	IR-cut filter w ith auto sw itch (ICR)	
Smart IR	Yes	
WDR	120dB	
Lens		
Focal Length	5mm~115mm	
Optical Zoom	23X	
Digital Zoom	16X	
Zoom Speed	<5s	
Aperture Range	F1.67~F3.67	
Aperture Type	Auto(P-Iris)	
Field of View	58°~3.2°(H); 33.9°~1.9°(V); 64.8°~3.6°(D)	
Focus Control	Auto/Semi-auto/Manual	
Close Focus Distance	500mm~5000mm	
DORI Distance	Detect:1980m Observe:785m Recognize:396m Identify:198m	
Pan&Tilt		
Pan Range	360°	
Pan Speed	Manual Speed:0.1°~80°/s Preset Speed:80°/s	
Tilt Range	-16°~90° (Default -3°~90°)	
Tilt Speed	Manual Speed:0.1°~80°/s Preset:80°/s	
3D Position	Yes	
Preset	500	
Cruise	16,up to 32 presets per cruise	
Scan	8	
Pattern	8,each w ith 600s memory or 1000 orders	
Scheduled Task	Preset,Cruise,Scan,Pattern	
North Point	Yes(Manual setting)	
Power-off Memory	Yes	
Illuminator		
IR LEDs	7	
IR Distance	Up to 150m	
Wavelength	850nm	
IR Irradiation Angle	Yes	
Compression Standard		
Video Compression	S+265/H.265/H.264B/H.264M/H.264H/Motion JPEG	
Video Bit Rate	32Kbps~16Mbps	
Audio Compression	G.711A/G.711U/ADPCM_D/AAC_LC	
Audio Sampling Rate	8KHz/32KHz/48KHz	

Image	
Max. Resolution	5MP,2880×1620@30fps
Main Stream	PAL:25fps(2880×1620,2688×1520,2560×1440,2304×1296,1920×1080,1280×720) NTSC:30fps(2880×1620,2688×1520,2560×1440,2304×1296,1920×1080,1280×720)
Sub Stream	PAL:25fps(704×576,704×288,640×360,352×288) NTSC:30fps(704×480,704×240,640×360,352×240)
Third Stream	PAL:25fps(704×576,704×288,352×288,640×480) NTSC:30fps(704×480,704×240,352×240,640×480)
BLC	Yes
HLC	Yes
AGC	Yes
3DNR	Yes
White Balance	Auto/Semi-Auto/Manual/Sunshine/Nature Light/Warmlight Lamp/Daylight Lamp/Filament Lamp/Lock White Balance
ROI	7 Dynamic Areas for Both Main and Sub Stream
OSD	5 regions(Each region can have a maximum of 127 characters ,up to 5 lines); 16*16/24*24/32*32/48*48/64*64/96*96/adaptable size; Vector/Lattice
Defog	Yes
Flip	Normal/Horizontal Mirror/Vertical Mirror/Inverted Flip
Regional Exposure	Yes
Regional Focus	Yes
Demist	Yes
Privacy Mask	24 regions(Up to 4 blocks in the same scene)
Feature	
General Alarm	Motion Detection; Mask Alarm; Alarm Input
Exceptions Alarm	Voltage Alarm; Disk Full; Disk R/W Error; Recording Exception; IP Address Conflict; MAC Address Conflict; FTP Server Exception ; Network cable disconnected
Linkage Method	Send Email; Trigger Sound; Trigger Recording; Trigger Capture; Notify Surveillance Center; Alarm Output
Video Analytics	Human/Vehicle Classification; Tripwire; Double Tripwire; Perimeter; Object Abandon; Object Missing; Heatmap; Loitering; Running; Parking; People Counting; Crowded Detection; Safety Helmet Detection; On Duty Detection; Video Abnormal; Audio Abnormal
Face Mode	Face Capture
Face Capture Performance	Detect up to 32 faces at the same scene; Capture up to 16 faces at the same scene
Network	
ANR	Yes
Protocols	HTTP, HTTPS; TCP/IP; UDP; UPnP; ICMP; IGMP; SNMP v1/v2/v3; DHCP; DNS; DDNS; Easy DDNS; NTP; SMTP; TLS v1.2; SSL; 802.1x; QoS; IPv4; IPv6; PPPoE; SSH; Unicast; Multicast; ARP; RTP; SRTP; FTP; SFTP
System Compatibility	P2P; ONVIF(Profile S/T/G/M); SDK; CGI; Milestone; RTSP; RTMP
Remote Connection	≤7
User/Host	Up to 32 users. 4 user levels
Client	Alcon Smart Surveillance
Mobile Client	Alcon View
Web	IE10+; Firefox52+; Edge89+; Safari11+; Chrome57+
Interface	
Communication Interface	1*RJ45 (10/100Base-T)
Audio I/O	1*Input Impedance 1kΩ,2.0~2.4Vp-p; 1*Output Impedance 600Ω
Alarm I/O	1*Switching; 1*Switching,Voltage≤DC24V,Current≤1A
Reset Button	Yes
On-board Storage	Built-in Micro SD card slot,up to 512 GB

General	
Web Client Language	English/Spanish/Italian/ Korean/Turkish/Russian/Thai/ Polish/French/Dutch/ Hebrew/Vietnamese/Arabic/German/ Ukrainian /Portuguese/Albanian
Operating Temperature	-30°C~65°C (-22°F~149°F)
Operating Humidity	≤95%RH
Storage Temperature	-30°C~65°C (-22°F~149°F)
Storage Humidity	10%~95%RH(non-condensing)
Power Supply	DC12V±10%; PoE:IEEE 802.3at
Power Consumption	8.1W(IR OFF) ; 19.4W(IR ON)
Protection	Surge4000V; ESD6000V; IP66
Material	Metal+plastic
Boundary Dimensions	161mm(D)x276mm(H)
Package Dimensions	260(L)x260(W)x465(H)mm
Gross Weight	3.9kg
Net Weight	2.2kg
Certification	FCC, CE, BIS, RoHS

DIMENSIONS



ORDERING INFORMATION

AL-5003-MPC-HD523XIRDK

5MP 23×Starlight POE PTZ Camera



*Product specifications and availability are subject to change without notice.

