

5MP AUTO TRACKING 32X STARLIGHT 250M IR PTZ CAMERA

- Min. illumination Color: 0.001Lux@F1.6
- S+265/H.265/H.264/M-JPEG
- Up to 5MP@30fps, IP67, IK10
- Smart IR, IR Range: Up to 250m
- ONVIF (PROFILE S), SDK, CGI, P2P
- Video Analytics, Face Detection & Heat Map
- Optical Zoom: 32x, Digital Zoom: 16x
- Support ANR, Intelligent Alarm Trigger
- Audio in/out 1/1, Alarm in/out 1/1
- MicroSD Card Slot up to 512GB, Reset Button



OVERVIEW

The Alcon AL-5003-MPC-HD532XIRDK PTZ IP Camera with Pan, Tilt and Zoom function, S+265 Video Compression with Starlight Low light Technology and Long range Array IR LED Illuminator provides high resolution images for round-the-clock surveillance over IP networks. It supports S+265, H.265, MPEG-4, and JPEG compression formats and delivers excellent picture quality in 5MP resolutions. It is also equipped with 5.9-188.8mm with 32x Optical Zoom Lens which enables surveillance of far objects with detail. Furthermore, the IP66,(metal body)-rated housing protects against rain and dust and ensures stable operation under extreme weather conditions. IR-Cut filter and built-in Long Range Array IR LED illuminators with smart IR, enables the camera to provide color video in low light condition, and black/white clear video in dark conditions up to 250 meters. It is an ideal solution for outdoor surveillance applications such as buildings, roads, parking areas, railway station, airports, steel and power plants and other Industrial areas etc.

LATEST COMPRESSION S+265 TECHNOLOGY

ALCON cameras and NVRS are coming with S+265 technology the compression ratio with H.264 technology 100:20....80% less storage another new gen technology circuit making it extremely durable and best suitable for Industrial type installations.

ULTRA SUPER WDR (120dB)

Commonly used Digital WDR (D-WDR), which is a software-based technique to enhance image by adjusting the gamma value to enhance dark areas is responsible for image deterioration (i.e. the image being washed out). Alcon sensor-based WDR technology allows the camera to record greater scene details with true color reproduction even under the extreme back light and high contrast conditions. The ratio that the brightest light signal values divided by the darkest light signal values is up to 140dB.

TRIPLE STREAMING

The Alcon Premium series Camera Series supports 3 simultaneous streams. Stream 1 for Local Recording and Viewing at full resolution, stream 2 for Remote viewing and recording over the internet and stream 3 for special applications, Smart Phones and hand held devices. Keeping in mind the growing trend of video analytics and Smart Phone applications, this feature enhances analytics and mobile viewing experience over conventional IP Camera having Dual Stream only.

STARLIGHT TECHNOLOGY

ALCON starlight 0.001Lux (DARK KNIGHT) series is most advance product with low light scenario with Cristal clear and color picture on Night

SMART ZOOMING

The Alcon AL-5003-MPC-HD532XIRDK Smart Project IP PTZ Camera is equipped with 32X optical Zoom Lens through you can view far objects with minute details. It also come with 16X digital Zoom feature.

SMART DEFOG

Alcon's Smart Defog image correction algorithm, improves the whole images visibility and clarity even in very foggy weather.

ANR

Alcon of their IP cameras fitted with on-board MicroSD storage now come with a feature called Automatic Network Recovery – or ANR – as standard. When activated, this tells the camera to start recording footage to the memory card as soon as it loses its connection to the recorder.

HIGH LIGHT CONTROL

Alcon HLC function is designed to allow camera capture vehicle plate license. HLC stands for Hight-light compensation, this technology is designed to optimize the brightness of images through using digital signal processing.

PRIVACY MASKING

Privacy masking is a feature found in many IP cameras which is used to protect personal privacy by concealing parts of the image from view with a masked area. Examples of this use would be masking windows of domestic properties

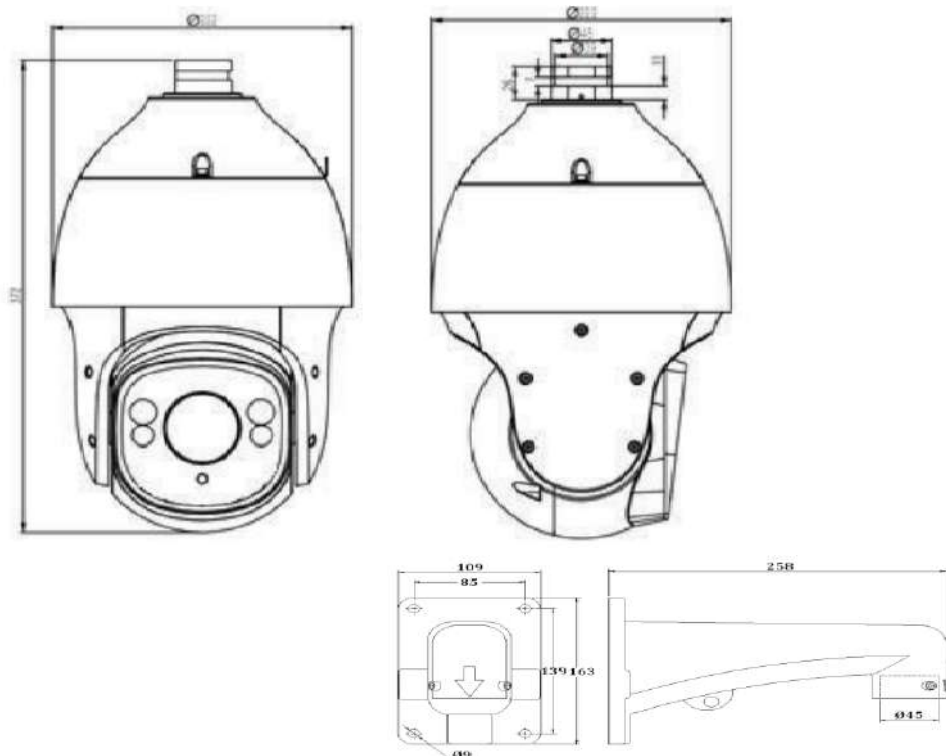
SPECIFICATION

Camera	AL-5003-MPC-HD530XIRDK
Image Sensor	1/2.7"CMOS
Min. Illumination	Color:0.001lux@ (F1.6,AGC ON),B/W:0lux with IR
Shutter Time	1s~1/100000s
Day&Night	IR-cut filter with auto switch (ICR)
Smart IR	Yes
WDR	120dB
Lens	
Focal Length	5.9-188.8mm
Optical Zoom	32X
Digital Zoom	16X
Zoom Speed	<5s
Aperture Range	F1.6~F4.3
Aperture Type	Auto(P-Iris)
Field of View	61.9°~2.5°(H); 35.5°~1.4°(V); 69.1°~2.9°(D)
Focus Control	Auto/Semi-auto/Manual
Close Focus Distance	100mm~1500mm
DORI Distance	Detect:2600m Observe:1031m Recognize:520m Identify:260m
Pan&Tilt	
Pan Range	360°
Pan Speed	Manual Speed:0.1°~180°/s Preset Speed:240°/s
Tilt Range	-16°~90° (Default -3°~90°)
Tilt Speed	Manual Speed:0.1°~120°/s Preset:120°/s
3D Position	Yes
Preset	500
Cruise	16, up to 32 presets per cruise
Scan	8
Pattern	8, each with 600s memory or 1000 orders
Scheduled Task	Preset, Cruise, Scan, Pattern
North Point	Yes (Manual setting)
Power-off Memory	Yes
Illuminator	
IR LEDs	10
IR Distance	Up to 250m
Wavelength	850nm
IR Irradiation Angle	Yes
Compression Standard	
Video Compression	S+265/H.265/H.264B/H.264M/H.264H/Motion JPEG
Video Bit Rate	32Kbps~16Mbps
Audio Compression	G.711A/G.711U/ADPCM_D/AAC_LC
Audio Sampling Rate	8KHz/32KHz/48KHz

Image	
Max. Resolution	5MP,2880×1620@30fps
Main Stream	PAL:25fps(2880×1620,2688×1520,2560×1440,2304×1296,1920×1080,1280×960,1280×720) NTSC:30fps(2880×1620,2688×1520,2560×1440,2304×1296,1920×1080,1280×960,1280×720)
Sub Stream	PAL:25fps(704×576,704×288,640×360,352×288) NTSC:30fps(704×480,704×240,640×360,352×240)
Third Stream	PAL:25fps(1920×1080,1280×960,1280×720,704×576,640×480,704×288,352×288) NTSC:30fps(1920×1080,1280×960,1280×720,704×480,640×480,704×240,352×240)
BLC	Yes
HLC	Yes
AGC	Yes
3DNR	Yes
White Balance	Auto/Semi-Auto/Manual/Sunshine/Nature Light/Warmlight Lamp/Daylight Lamp/Filament Lamp/Lock White Balance
ROI	7 rectangular 3D fixed focus areas,supporting 1 rectangular dynamic tracking ROI
OSD	5 regions(Each region can have a maximum of 127 characters ,up to 5 lines); 16*16/24*24/32*32/48*48/64*64/96*96/adaptable size; Vector/Lattice
Defog	Yes
Flip	Normal/Horizontal Mirror/Vertical Mirror/Inverted Flip
Regional Exposure	Yes
Regional Focus	Yes
Demist	Yes
Privacy Mask	24 regions(Up to 4 blocks in the same scene)
Feature	
General Alarm	Motion Detection; Mask Alarm; Alarm Input
Exceptions Alarm	Disk Full; Disk R/W Error; Recording Exception; IP Address Conflict; MAC Address Conflict; FTP Server Exception ; Network cable disconnected
Linkage Method	Send Email; Trigger Sound; Trigger Recording; Trigger Capture; Notify Surveillance Center; Alarm Output
Video Analytics	Human/Vehicle Classification; Tripwire; Double Tripwire; Perimeter; Object Abandon; Object Missing; Heatmap; Loitering; Running; Parking; People Counting; Crowded Detection; Safety Helmet Detection; On Duty Detection; Video Abnormal; Audio Abnormal
Auto-Tracking	Yes
Face Mode	Face Capture
Face Capture Performance	Detect up to 32 faces at the same scene; Capture up to 16 faces at the same scene
Network	
ANR	Yes
Protocols	HTTP; HTTPS; TCP/IP; UDP; UPnP; ICMP; IGMP; SNMP v1/v2/v3; DHCP; DNS; DDNS; Easy DDNS; NTP; SMTP; TLS v1.2; SSL; 802.1x; QoS; IPv4; IPv6; PPPoE; SSH; Unicast; Multicast; ARP; RTP; SRTP; FTP; SFTP
System Compatibility	P2P; ONVIF(Profile S/T/G/M); SDK; CGI; Milestone; RTSP; RTMP
Remote Connection	≤7
User/Host	Up to 32 users. 4 user levels
Client	Alcon Smart Surveillance
Mobile Client	Alcon View
Web	IE10+; Firefox52+; Edge89+; Safari11+; Chrome57+
Interface	
Communication Interface	1*RJ45 (10/100Base-T)
Audio I/O	1*Input Impedance 1kΩ,2.0~2.4Vp-p; 1*Output Impedance 600Ω
Alarm I/O	8*Switching; 2*Switching,Voltage≤DC24V,Current≤1A
Reset Button	Yes
On-board Storage	Built-in Micro SD card slot,up to 512 GB
Additional Interfaces	RS-485

General	
Web Client Language	English/Spanish/Italian/ Korean/Turkish/Russian/Thai/ Polish/French/Dutch/ Hebraism/Vietnamese/Arabic/German/ Ukrainian /Portuguese/Albanian
Operating Temperature	-40°C~70°C(-40°F~158°F)
Operating Humidity	≤95%RH
Storage Temperature	-40°C~70°C(-40°F~158°F)
Storage Humidity	10%~95%RH(non-condensing)
Power Supply	AC24V±25%\DC24V±10%; PoE:IEEE 802.3bt
Power Consumption	20W(IR OFF) ; 38W(IR ON)
Protection	Surge4000V; ESD6000V; IP67, IK10
Material	Metal
Boundary Dimensions	222mm(D)x372mm(H)
Package Dimensions	320(L)x320(W)x520(H)mm
GrossWeight	8.45kg
NetWeight	5.3Kg
Certification	FCC,CE,BIS & RoHS

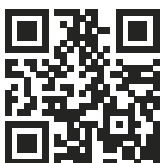
DIMENSIONS



ORDERING INFORMATION

AL-5003-MPC-HD532XIRDK

5MP 32X AUTO TRACKING STARLIGHT PoE PTZ CAMERA



*Product specifications and availability are subject to change without notice.

